

CZ-C



C

描述 Descriptions

应急照明控制器分为立式安装（60W）和挂式安装（6W）；

产品符合国家标准GB51309《消防应急照明和疏散指示系统技术标准》要求；硬件采用工业控制计算机，稳定可靠；

配大尺寸工控屏，友好的监控操作界面，内容丰富、直观、可方便用户使用；

控制软件基于 Windows/unix/linux 操作系统，监控直观，操作方便快捷；

自动实时监测系统设备及应急灯具运行状态，具有年检、月检功能；通信容量大，组网能力强；

配有微型热敏打印机，方便用户打印系统运行时发生的各种火警、故障等信息；

可建立用户账户，对系统通信参数、各用户名的使用权进行设置；

历史事件记录功能，用户可查看所有的关键操作、系统状态等的记录；

可与FAS主机进行联动，获得火灾点位置信息。采用自适应软件算法，自动生成疏散路径。

The emergency lighting controller is divided into vertical installation (60W) and hanging installation (6W) ;

The product meets the requirements of national standard GB51309 technical standard for fire emergency lighting and evacuation indication system; The hardware adopts industrial control computer, which is stable and reliable;

Equipped with large-size industrial control screen and friendly monitoring operation interface, the content is rich, intuitive and convenient for users;

The control software is based on Windows / Unix / Linux operating system, with intuitive monitoring and convenient and fast operation; Automatic real-time monitoring system equipment and operation status of emergency lamps, with annual and monthly inspection functions;

Large communication capacity and strong networking ability. Equipped with micro thermal printer, it is convenient for users to print all kinds of fire alarm, fault and other information during the operation of the system;

User accounts can be established to set the system communication parameters and the use rights of each user name;

Historical event recording function, users can view the records of all key operations and system status;

It can be linked with FAS host to obtain the location information of fire point. Adaptive software algorithm is adopted to automatically generate evacuation path.

主要数据 Main technical data

认证 Certification	认证标志 Ex mark	符合标准 Meet the standard
China	CCC	GB17945

适用范围：用于室内非防爆区域

使用环境温度：-20°C ≤ Ta ≤ +55°C

防护等级：IP30

额定电压：AC220V 50Hz

额定功率：6W, 60W

应急时间：≥180分钟

蓄电池类型：锂电池

电池充电环境温度：0°C ~ +60°C

电池放电环境温度：-20°C ~ +60°C

通讯接口：CAN, RS485, RJ45, USB

输出回路：2路

组网距离：≤1200米（大于1200米使用中继或者光纤）

组网能力：6W-2路CAN, 1路RS485, 1路RS232, 2路干接点

60W-4路CAN, 1路RS485, 1路RS232, 2路干接点

32台集中电源

通讯能力：≤3200台灯具

尺寸：6W: 510mm×370mm×168mm

60W: 1800mm×600mm×600mm

Intended use: Can be used in indoor non explosion-proof area

Ambient temperature: -20°C ≤ Ta ≤ +55°C

Degree of protection: IP30

Rated voltage: AC220V 50Hz

Rated power: 6W, 60W

Emergency time: ≥ 180 minutes

Battery type: lithium battery

Battery charging ambient temperature: 0°C ~ +60°C

Battery discharge ambient temperature: -20°C ~ +60°C

Communication interface: CAN, RS485, RJ45, USB

Output circuit: 2 circuits

Networking distance: ≤ 1200m

(Relay or optical fiber shall be used for more than 1200m)

Networking capability:

6W-2-way can, 1-way RS485, 1-way RS232, 2-way dry contact

60W-4-way can, 1-way RS485, 1-way RS232, 2-way dry contact



32 centralized power supplies

Communication capacity: ≤ 3200 lamps

Size: 6W: 510mm × 370mm × 168mm

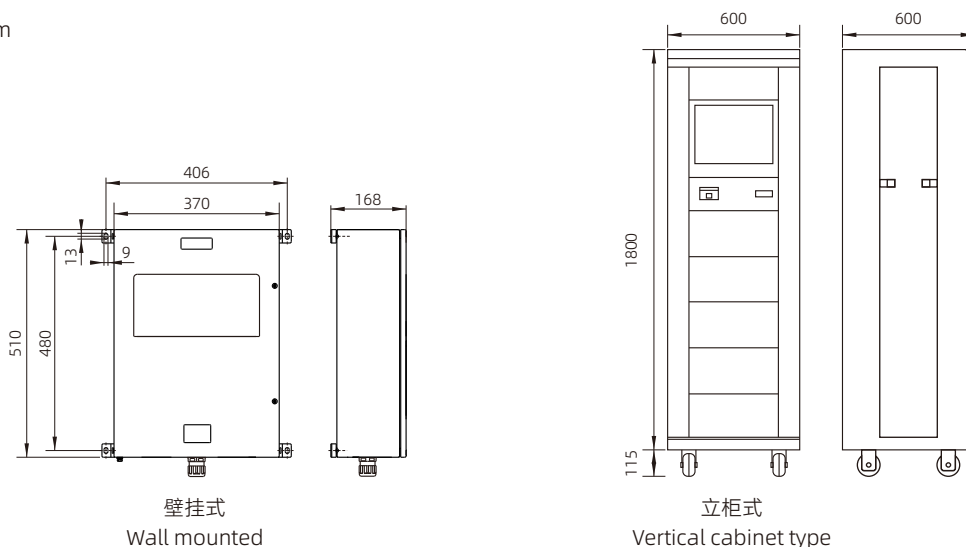
60W: 1800mm × 600mm × 600mm


订购规格 Order specifications

图样 Illustration	功率 Power	安装型式 Installation type	重量(kg) Weight	订购号 Order No.
 	6W	壁挂式 Wall mounted	8.5	CZ-C-6W-M
	60W	立柜式 Vertical cabinet type	80.0	CZ-C-60W-M

外形尺寸 Outline dimension

单位 Unit: mm



CZ-D



C

描述 Descriptions

消防应急照明集中电源按适用环境分为防爆消防应急照明集中电源和消防应急照明集中电源两种。

防爆消防应急照明集中电源壳体采用IECEX、ATEX认证的CZ1400隔爆箱体，所配的观察窗、操作手柄、仪表按杆等Ex元件均经IECEX、ATEX认证，其整机产品也符合IECEX、ATEX认证要求。

防爆消防应急照明集中电源符合CZ1490防爆电器箱要求，因GB17945标准命名规则要求，在防爆消防应急照明集中电源中命名为CZ-D-□KVA，实为同一产品。

消防应急照明集中电源壳体采用304不锈钢制成，壁挂式安装。

The centralized power supply for fire emergency lighting is divided into explosion-proof fire emergency lighting centralized power supply and fire emergency lighting centralized power supply according to the applicable environment.

The shell of explosion-proof fire emergency lighting central power supply is CZ1400 flameproof enclosure, which certified by IECEx and ATEX. The observation window, operating handle, instrument operation lever and other Ex components are certified by IECEx and ATEX, The whole product also meets the requirements of IECEx and ATEX.

The Explosion proof fire emergency lighting centralized power supply comply to the requirements of CZ1490 explosion-proof electrical box, but it's named CZ-D-□KVA in explosion-proof fire emergency lighting central power due to the requirements of naming rules of GB17945 standard, actually they are same product.

The centralized power supply shell for fire emergency lighting is made of 304 stainless steel and wall mounted.

1 区和 2 区

21 区和 22 区

Zone 1 and zone 2

Zone 21 and zone 22

功能及特点 Functions and features

- ICEEx认证、ATEX认证、CCC防爆认证、CCC消防认证;
- 一体化设计, 集成应急电源和分配电装置功能;
- 模块化设计, 高度集中, 保证系统可行连续运行;
- 中文液晶显示屏, 显示工作状态, 方便用户维护;
- 具有可靠的输出过载保护, 短路保护, 过热保护, 电池过放电保护等保护功能;
- 声光故障报警, 指示故障类型, 并具有实时时钟和历史事件记录功能;
- 与系统主机通信, 将自身工作状态上传至主机, 实现主机监控;
- 具有消防联动功能, 可与现场FAS信号直接联动;
- 系统采用36V DC安全低电压供电, 可有效避免意外触电事故, 可靠的保护现场人员安全;
- 每台集中电源均具有独立的地址编码, 可与控制器主机进行通信, 及时反馈电源状态给控制器;
- 集中电源配电回路具有数据采集功能, 能巡检回路上灯具的工作状态;
- 集中电源与灯具间线路均可无极性连接, 提高了施工的便利性和可靠性;
- 火灾模式, 接受控制器应急启动指令, 可实现灯具应急点亮;
- 非火灾模式, 在正常照明电源断电后, 可实现灯具应急点亮;
- IECEX Certification、ATEX Certification、CCC Explosion proof certification and CCC Fire certification;
- Integrated design, integrated emergency power supply and distribution device function;
- Modular design, highly centralized to ensure the continuous operation of the system;
- LCD in Chinese to display the working status, which convenient for user maintenance;
- Reliable output overload protection, short circuit protection, overheat protection, battery over discharge protection and other protection functions;
- Sound and light fault alarm, indicating fault type, with actual-time clock and historical event recording function;
- Communicate with the system host, upload its working status and realize host monitoring;
- With fire linkage function, which can be directly linked with the on-site FAS signal;
- The system uses 36V DC safe low voltage power supply, which can effectively avoid electric shock accident and reliably protect the safety of on-site personnel;
- Each centralized power supply has an independent address code, which can communicate with the controller host and feed back the power status to the controller in time;
- The centralized power distribution circuit has the function of data acquisition, which can inspect the working state of lamps on the circuit;
- The lines between the centralized power supply and lamps can be connected without polarity, which improves the convenience and reliability of construction;
- Fire mode, which accept the emergency start command of the controller, and realize the emergency lighting of lamps;
- In non fire mode, emergency lighting can be lid after normal lighting power is cut off;

主要数据 Main technical data

认证 Certification	防爆标志 Ex mark	符合标准 Meet the standard
CCCF	CCCF	GB17945
CCC	Ex db IIB T4 Gb Ex tb IIIC T130°C Db	GB/T3836
IECEX	Ex db IIB T4 Gb Ex tb IIIC T130°C Db	IEC60079
ATEX	Ⓜ II 2 G D Ex db IIB T4 Gb Ex tb IIIC T130°C Db	EN60079

适用范围: 用于 1 区和 2 区

用于 21 区和 22 区

使用环境温度: $-55^{\circ}\text{C} \leq T_a \leq +55^{\circ}\text{C}$

防护等级: IP66

额定输入电压: AC 220V 50Hz

额定输出电压: DC 36V (正常工作 and 应急工作状态)

输出功率: 300W、600W

负载功率: $\leq 80\%$

输出回路: ≤ 8 回路 (300W), ≤ 8 回路 (600W)

应急时间: 90min

蓄电池类型: 锂电池

电池充电环境温度: $0^{\circ}\text{C} \sim +60^{\circ}\text{C}$

电池放电环境温度: $-20^{\circ}\text{C} \sim +60^{\circ}\text{C}$

负载通信方式: 电源+通信共用无极性二总线

保护功能:

输出过流保护、过充保护、输出短路过热保护、
短路保护、电池过放电保护

报警功能: 电池欠压、电池连接、充电器、输出回路

接地螺钉规格: M8

外壳材料: 铝合金

Intended use: Can be used in zone 1 and zone 2

Can be used in zone 21 and zone 22

Ambient temperature: $-55^{\circ}\text{C} \leq T_a \leq +55^{\circ}\text{C}$

Degree of protection: IP66

Rated voltage: AC220V 50Hz

Rated output voltage: 36V DC (Normal and emergency working conditions)

Output power: 300W, 600W

Load power: $\leq 80\%$

Output circuit: ≤ 8 circuit (300W), ≤ 8 circuit (600W)

Emergency time: 90min

Battery type: lithium battery

Battery charging ambient temperature: $0^{\circ}\text{C} \sim +60^{\circ}\text{C}$

Battery discharge ambient temperature: $-20^{\circ}\text{C} \sim +60^{\circ}\text{C}$

Load communication mode: power supply + communication share two non polarity bus

Protection function:

Output over-current protection, overcharge protection, output short-circuit
overheating protection, short-circuit protection, battery over discharge protection

Alarm function: battery under voltage, battery connection, charger, output circuit

Specification of grounding screw: M8

Shell material: aluminum alloy

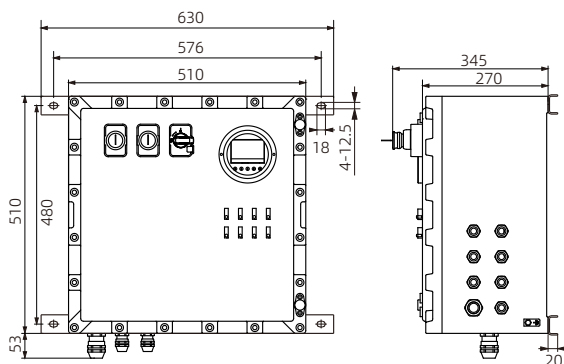
C

订购规格 Order specifications

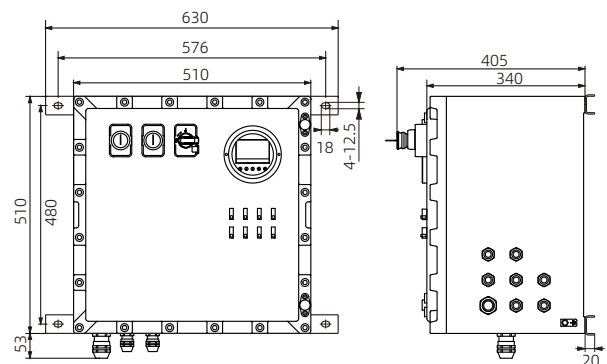
图样 Illustration	功率 Power	输出回路 Output circuit	输出电压 Output voltage	输出电流 Output electricity	重量(kg) Weight	订购号 Order No.
	300W	8 路 8 loop	DC36V	$\leq 5\text{A}$	70.0	CZ-D-0.3kVA
	600W	8 路 8 loop	DC36V	$\leq 5\text{A}$	80.0	CZ-D-0.6kVA

安装形式和外形尺寸 Mounting ways and outline dimensions

单位 Unit: mm



CZ-D-0.3kVA



CZ-D-0.6kVA


主要数据 Main technical data

认证 Certification	认证标志 Ex mark	符合标准 Meet the standard
China	CCC	GB17945

<p>适用范围：用于非防爆区域 使用环境温度：-20°C≤Ta≤+55°C 防护等级：IP66 额定电压：AC220V 50Hz 额定输出电压：DC36V（正常工作或应急工作状态） 输出功率：300W, 600W 输出回路：8路（300W），8回路（600W） 应急时间：≥90分钟 蓄电池类型：锂电池 电池充电环境温度：0°C ~ +60°C 电池放电环境温度：-20°C ~ +60°C 负载通信方式：电源+通信 共用无极性二总线 保护功能：输出过流保护，过充保护，输出短路 过热保护，短路保护，电池过放电保护 报警：电池欠压、电池连接、充电器、输出回路 尺寸：750mm × 370mm × 276mm 安装方式：壁挂式</p>	<p>Intended use: Can be used in non explosion-proof areas Ambient temperature: -20°C≤Ta≤+55°C Degree of protection: IP66 Rated voltage: AC220V 50Hz Rated output voltage: DC36V (normal or emergency working state) Output power: 300W, 600W Output circuit: 8 circuits (300W), 8 circuits (600W) Emergency time: ≥90 minutes Battery type: lithium battery Battery charging ambient temperature: 0°C ~ +60°C Battery discharge ambient temperature: -20°C ~ +60°C Load communication mode: power supply + communication share non-polar two bus Protection function: Output overcurrent protection, overcharge protection, output short circuit protection Overheat protection, short circuit protection, battery over discharge protection Alarm: battery undervoltage, battery connection, charger, output circuit Size: 750mm × 370mm × 276mm Installation method: Wall type</p>
---	--



订购规格 Order specifications

图样 Illustration	功率 Power	输出回路 Output circuit	输出电压 Output voltage	输出电流 Output electricity	重量(kg) Weight	订购号 Order No.
	300W	8路 8 loop	DC36V	≤5A	28.0	CZ-D-0.3KVA-M
	600W	8路 8 loop	DC36V	≤5A	32.0	CZ-D-0.6KVA-M

外形尺寸 Outline dimension

单位 Unit: mm

