

CZ0879/1、2、3 □


D

描述 Descriptions

防爆灯外壳由铝合金压铸成型，表面喷涂纯环氧树脂粉末，抗腐蚀性能好。透明件采用防眩光棱晶钢化玻璃，特殊耐久的密封结构，外露紧固件采用不锈钢材料。玻璃罩套件与灯体之间采用挂链设计。防爆灯侧面进线，适用于橡胶套和铠装电缆布线，内部接线端子选用笼式端子，便于接线。防爆灯具内部独特的隔热和散热设计，使灯具散热效果更佳。能满足石化、化学和海上工业照明的相关要求。

防爆灯根据用户不同的要求可选配不同的光源。配置金属卤化物灯和高压钠灯时，灯体内装有镇流器、触发器和补偿电容。

防爆灯可分为吊杆灯、支架灯、平台灯、墙壁灯。

防爆灯安装形式可分为吸顶式、吸壁式、吊链式。

防爆平台灯头 C-90° 安装形式可分为平台护栏式、平台法兰式两种。

防爆平台灯头 D-25° 安装形式可分为平台护栏式、平台法兰式两种。

- 可选配灯伞
- 安装维护方便
- 防护等级高达IP66
- IECEx、ATEX 国际认证

2 区

21 区和 22 区

Zone 2

Zone 21 and zone 22

The enclosures of explosion-proof light fittings are die-cast aluminum alloy, with epoxy resin powder coated on the surfaces. Therefore, they have good anti-corrosion performance. The transparent part is made by toughened glass of anti-glare edged crystal, special durable sealing structure and the exposed fasteners are made of stainless steel. Ferrule suspension hook design between the kits of glass cover and the light body is used. Explosion-proof light fitting's terminal box side entry is suitable for rubber-coated and the armored cable wiring. The cage type terminals are selected as the internal terminals, which are convenient for wiring. The unique design of heat insulation and heat dissipation inside the explosion-proof lamp makes the heat dissipation effect of the lamp better. It can satisfy the related requirements of illumination in chemical, petrochemical and marine industries.

The explosion-proof lights have different lamp sources for different options. Metal halide lamp and high pressure sodium vapor lamp versions will have ballast, the trigger and compensation capacitor in the lamp body.

Explosion-proof light fittings can be sorted as: pendant pole type, bracket type, platform type and wall type.

The mounting ways of the explosion-proof light fittings are ceiling type, bracket type and chain type.

The mounting ways of the explosion-proof platform light fittings C-90° are fence type and platform flange type.

The mounting ways of the explosion-proof platform light fittings D-25° are fence type and platform flange type.

- It is convenient to be mounted and maintained.
- It can be fitted with lamp shade.
- The degree of protection is up to IP66.
- IECEx, ATEX International certification

产品特点 Product characteristics



笼式接线端子，更方便接线 The cage type terminals are more convenient for wiring.



防爆平台灯头安装 C-90°
The mounting ways of the explosion-proof platform light fittings C-90°



玻璃罩套件与灯体之间采用挂链式设计，更方便安装、维护
Ferrule suspension hook chain design between the kits of glass cover and the body is applied. It is more convenient to be mounted and maintained.



灯具可按要求配置不锈钢网罩
The stainless steel mesh can be equipped as per request.



支架安装，多个角度可调节
Bracket installation, multiple angle adjustment



吊链式安装（灯具可按要求配置灯伞）
Chain type (The light fitting can be equipped with the lamp shade as request)



防爆平台灯头安装 D-25°
The mounting ways of the explosion-proof platform light fittings D-25°

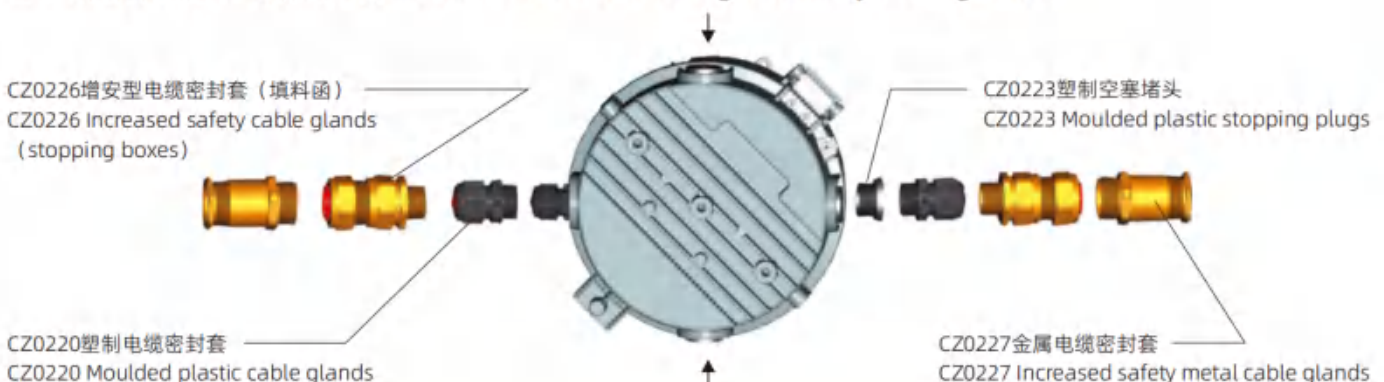


墙壁灯安装 Wall type lamp



吊杆灯安装 Pendant pole type lamp

四个引线方向和多种电缆引入装置 Four directions for wiring and many cable glands



主要数据 Main technical data

认证 Certification	防爆标志 Ex mark	符合标准 Meet the standard
China	Ex nR II C T* Gc Ex tb IIIC T* Db	GB/T3836
IECEX	Ex nR II C T* Gc Ex tb IIIC T* Db	IEC60079
ATEX	Ⓜ II 3 G Ex nR II C T* Gc Ⓜ II 2 D Ex tb IIIC T* Db	EN60079

适用范围: 用于 2 区、21 区和 22 区

防护等级: IP66

额定电压: 220V AC 50Hz

220V AC、230V AC、240V AC 50Hz、60Hz

120V/208V/240V/277V/480V AC 60Hz

使用环境温度: -40°C to +40°C/+55°C

 接线端子: L1、N 端子 2-2.5mm², PE 端子 2×6mm²

 电缆入口: **A**-吊杆灯 (标配)

1×G3/4", 电缆外径: Φ11-15mm

B-支架灯 (标配)

塑制 1-M25×1.5, 电缆外径: Φ9-17mm

塑制 3-M25×1.5 空塞堵头

C-平台灯 90° (标配)

D-平台灯 25° (标配)

塑制 1-M25×1.5, 电缆外径: Φ9-17mm

E-墙壁灯 (标配)

塑制 1-M25×1.5, 电缆外径: Φ9-17mm

塑制 3-M25×1.5 空塞堵头

Intended use: Can be used in zone 2, zone 21 and zone 22

Degree of protection: IP66

Rated voltage: 220V AC 50Hz

220V AC、230V AC、240V AC 50Hz、60Hz

120V/208V/240V/277V/480V AC 60Hz

Ambient temperature: -40°C to +40°C/+55°C

 Terminal: L1, N Terminal 2-2.5mm², PE terminal 2×6mm²

 Cable entry: **A**-Pendant pole type lamp (Standard configuration)

1×G3/4", outside diameter: Φ11-15mm

B-Bracket type lamp (Standard configuration)

Moulded plastic 1-M25×1.5, outside diameter: Φ9-17mm

Moulded plastic 3-M25×1.5 stopping plug

C-Platform type lamp 90° (Standard configuration)

D-Platform type lamp 25° (Standard configuration)

Moulded plastic 1-M25×1.5, outside diameter: Φ9-17mm

E-Wall type lamp (Standard configuration)

Moulded plastic 1-M25×1.5, outside diameter: Φ9-17mm

Moulded plastic 3-M25×1.5 stopping plug

订购规格 Order specifications

图样 Illustration	光源代号 Code of light source	灯座代号 Lamp holder code	功率 Power	温度组别 T* Temperature class*		重量(kg) Weight	订购号 Order No.
				Ta≤40°C	Ta≤55°C		
	金属卤化物灯-J Metal halide lamp-J	E27	70W	T5	T4	9.10	CZ0879/1□-J70W25-□+□
		E27	100W	T4	T4	9.87	CZ0879/1□-J100W25-□+□
		E27	150W	T4	T4	9.87	CZ0879/1□-J150W25-□+□
	高压钠灯-N High pressure sodium vapor lamp-N	E27	70W	T5	T4	9.10	CZ0879/1□-N70W25-□+□
		E27	100W	T5	T4	9.35	CZ0879/1□-N100W25-□+□

A-吊杆灯 Pendant pole type lamp

B-支架灯 Bracket type lamp

C-平台灯 90° Platform type lamp 90°

D-平台灯 25° Platform type lamp 25°

E-墙壁灯 Wall type lamp

← 灯具安装形式
The mounting ways of the light fittings

1 - 100V ~ 240V AC

2 - 220V AC

3 - 230V AC

4 - 240V AC

5 - 220V ~ 240V AC

6 - 230V/240V AC

8 - 120V/208V/240V/277V/480V AC

← 额定电压
Rated voltage

5 - 50Hz

6 - 60Hz

7 - 50/60Hz

← 额定频率
Rated frequency

电缆引入装置编码详见 D/58 页 Code of cable gland see page D/58

安装附件订购号详见 D/58 页 (不配不注)
Order No. of mounting accessories see page D/58 (Optional)

主要数据 Main technical data

认证 Certification	防爆标志 Ex mark	符合标准 Meet the standard
China	Ex nR II C T* Gc Ex tb III C T* Db	GB/T3836
IECEX	Ex nR II C T* Gc Ex tb III C T* Db	IEC60079
ATEX	Ⓜ II 3 G Ex nR II C T* Gc Ⓜ II 2 D Ex tb III C T* Db	EN60079

适用范围：用于 2 区、21 区和 22 区

防护等级：IP66

额定电压：220V AC 50Hz

220V AC、230V AC、240V AC 50Hz、60Hz

120V/208V/240V/277V/480V AC 60Hz

使用环境温度：-40°C to +40°C/+55°C

 接线端子：L1、N 端子 2-2.5mm²，PE 端子 2×6mm²

 电缆入口：**A**-吊杆灯（标配）

1×G3/4"，电缆外径：Φ11-15mm

B-支架灯（标配）

塑制 1-M25×1.5，电缆外径：Φ9-17mm

塑制 3-M25×1.5 空塞堵头

C-平台灯 90°（标配）

D-平台灯 25°（标配）

塑制 1-M25×1.5，电缆外径：Φ9-17mm

E-墙壁灯（标配）

塑制 1-M25×1.5，电缆外径：Φ9-17mm

塑制 3-M25×1.5 空塞堵头

Intended use: Can be used in zone 2, zone 21 and zone 22

Degree of protection: IP66

Rated voltage: 220V AC 50Hz

220V AC、230V AC、240V AC 50Hz,60Hz

120V/208V/240V/277V/480V AC 60Hz

Ambient temperature: -40°C to +40°C/+55°C

 Terminal: L1, N Terminal 2-2.5mm², PE terminal 2×6mm²

 Cable entry: **A**-Pendant pole type lamp (Standard configuration)

1×G3/4", outside diameter: Φ11-15mm

B-Bracket type lamp (Standard configuration)

Moulded plastic 1-M25×1.5, outside diameter: Φ9-17mm

Moulded plastic 3-M25×1.5 stopping plug

C-Platform type lamp 90° (Standard configuration)

D-Platform type lamp 25° (Standard configuration)





Moulded plastic 1-M25×1.5, outside diameter: Φ9-17mm

E-Wall type lamp (Standard configuration)

Moulded plastic 1-M25×1.5, outside diameter: Φ9-17mm

Moulded plastic 3-M25×1.5 stopping plug

订购规格 Order specifications

图样 Illustration	光源代号 Code of light source	灯座代号 Lampholder code	功率 Power	温度组别T* Temperature class*		重量(kg) Weight	订购号 Order No.
				Ta≤40°C	Ta≤55°C		
	金属卤化物灯-J Metal halide lamp-J	E40	250W	T4	T3	11.3	CZ0879/2□-J250W25-□+□
		高压钠灯-N High pressure sodium vapor lamp-N	E40	150W	T4	T4	11.5
			E40	250W	T4	T3	12.3
	A -吊杆灯 Pendant pole type lamp B -支架灯 Bracket type lamp C -平台灯 90° Platform type lamp 90° D -平台灯 25° Platform type lamp 25° E -墙壁灯 Wall type lamp						
	1 - 100V ~ 240V AC 2 - 220V AC 3 - 230V AC 4 - 240V AC 5 - 220V ~ 240V AC 6 - 230V/240V AC 8 - 120V/208V/240V/277V/480V AC						
	5 - 50Hz 6 - 60Hz 7 - 50/60Hz						
灯具安装形式 The mounting ways of the light fittings							
额定电压 Rated voltage							
额定频率 Rated frequency							
电缆引入装置编码详见 D/58 页 Code of cable gland see page D/58							
安装附件订购号详见 D/58 页（不配不注） Order No. of mounting accessories see page D/58 (Optional)							

主要数据 Main technical data

认证 Certification	防爆标志 Ex mark	符合标准 Meet the standard
China	Ex nR II C T* Gc Ex tb III C T* Db	GB/T3836
IECEX	Ex nR II C T* Gc Ex tb III C T* Db	IEC60079
ATEX	Ⓜ II 3 G Ex nR II C T* Gc Ⓜ II 2 D Ex tb III C T* Db	EN60079

适用范围: 用于 2 区、21 区和 22 区
 防护等级: IP66
 额定电压: 220V AC 50Hz
 220V AC、230V AC、240V AC 50Hz、60Hz
 120V/208V/240V/277V/480V AC 60Hz

使用环境温度: -40°C to +40°C/+55°C
 接线端子: L1、N 端子 2-2.5mm², PE 端子 2×6mm²
 电缆入口: **A**-吊杆灯 (标配)
 1×G3/4", 电缆外径: Φ11-15mm
B-支架灯 (标配)
 塑制 1-M25×1.5, 电缆外径: Φ9-17mm
 塑制 3-M25×1.5 空塞堵头
C-平台灯 90° (标配)
D-平台灯 25° (标配)
 塑制 1-M25×1.5, 电缆外径: Φ9-17mm
E-墙壁灯 (标配)
 塑制 1-M25×1.5, 电缆外径: Φ9-17mm
 塑制 3-M25×1.5 空塞堵头

Intended use: Can be used in zone 2, zone 21 and zone 22
 Degree of protection: IP66
 Rated voltage: 220V AC 50Hz
 220V AC、230V AC、240V AC 50Hz,60Hz
 120V/208V/240V/277V/480V AC 60Hz

Ambient temperature: -40°C to +40°C/+55°C
 Terminal: L1, N Terminal 2-2.5mm², PE terminal 2×6mm²
 Cable entry: **A**-Pendant pole type lamp (Standard configuration)
 1×G3/4", outside diameter: Φ11-15mm
B-Bracket type lamp (Standard configuration)
 Moulded plastic 1-M25×1.5, outside diameter: Φ9-17mm
 Moulded plastic 3-M25×1.5 stopping plug
C-Platform type lamp 90° (Standard configuration)
D-Platform type lamp 25° (Standard configuration)
 Moulded plastic 1-M25×1.5, outside diameter: Φ9-17mm
E-Wall type lamp (Standard configuration)
 Moulded plastic 1-M25×1.5, outside diameter: Φ9-17mm
 Moulded plastic 3-M25×1.5 stopping plug

订购规格 Order specifications

图样 Illustration	光源代号 Code of light source	灯座代号 Lampholder code	功率 Power	温度组别T* Temperature class*		重量(kg) Weight	订购号 Order No.
				Ta≤40°C	Ta≤55°C		
	金属卤化物灯-J Metal halide lamp-J	E40	250W	T4	T4	14.15	CZ0879/3 □ -J250W25-□+□
		E40	400W	T3	T3	16.00	CZ0879/3 □ -J400W25-□+□
	高压钠灯-N High pressure sodium vapor lamp-N	E40	250W	T4	T4	14.20	CZ0879/3 □ -N250W25-□+□
		E40	400W	T3	T3	16.10	CZ0879/3 □ -N400W25-□+□
	A -吊杆灯 Pendant pole type lamp B -支架灯 Bracket type lamp C -平台灯 90° Platform type lamp 90° D -平台灯 25° Platform type lamp 25° E -墙壁灯 Wall type lamp						← 灯具安装形式 The mounting ways of the light fittings
	1 - 100V ~ 240V AC 2 - 220V AC 3 - 230V AC 4 - 240V AC 5 - 220V ~ 240V AC 6 - 230V/240V AC 8 - 120V/208V/240V/277V/480V AC						← 额定电压 Rated voltage
	5 - 50Hz 6 - 60Hz 7 - 50/60Hz						← 额定频率 Rated frequency
	电缆引入装置编码 Code of cable gland						←
安装附件订购号 (不配不注) Order No. of mounting accessories (Optional)							←





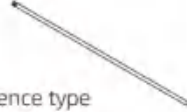
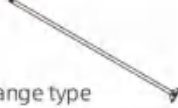
电缆密封套引入编码 Code of cable gland
B-支架灯电缆密封套编码 Code of cable gland for bracket type lamp
E-墙壁灯电缆密封套编码 Code of cable gland for wall type lamp

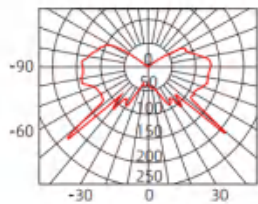
编码 Code	规格 Specifications	电缆直径 Cable diameter
13	塑制 1 个 M25×1.5 电缆密封套, 塑制 3 个 M25×1.5 空塞堵头 One moulded plastic M25×1.5 cable gland, three moulded plastic M25×1.5 stopping plugs	Φ9-17mm
22	塑制 2 个 M25×1.5 电缆密封套, 塑制 2 个 M25×1.5 空塞堵头 Two moulded plastic M25×1.5 cable glands, two moulded plastic M25×1.5 stopping plugs	Φ9-17mm
31	塑制 3 个 M25×1.5 电缆密封套, 塑制 1 个 M25×1.5 空塞堵头 Three moulded plastic M25×1.5 cable glands, one moulded plastic M25×1.5 stopping plug	Φ9-17mm
40	塑制 4 个 M25×1.5 电缆密封套 Four moulded plastic M25×1.5 cable glands	Φ9-17mm
04	塑制 4 个 M25×1.5 空塞堵头 Four moulded plastic M25×1.5 stopping plugs	

注: 如配金属电缆密封套, 在编码后注明。 Note: If metal cable gland is required, pls note after code.

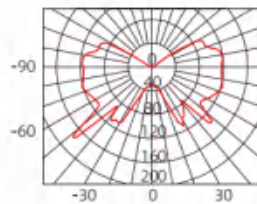
 注: **A-吊杆灯入口螺纹为 G3/4" 已标配, 不需再标注; C、D-平台灯电缆密封套已标配, 不需再标注。**

 Note: **A-Cable entry thread G3/4" for pendant pole type lamp is equipped, no need to be mentioned.**
C,D-Cable gland for platform type lamp is equipped, no need to be mentioned.
安装附件 Mounting accessories

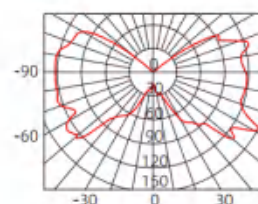
图样 Illustration	描述 Descriptions	单位 Unit	订购号 Order No.
 吸顶支架 Ceiling bracket	支架灯附件, 用于 CZ0879/1、2 Accessories for bracket type lamp, for CZ0879/1、2	套 Set	D8722/2
	支架灯附件, 用于 CZ0879/3 Accessories for bracket type lamp, for CZ0879/3	套 Set	D8722/3
 安装支架 Mounting bracket	支架灯附件, 用于 CZ0879/1、2 Accessories for bracket type lamp, for CZ0879/1、2	套 Set	D8719/1
	支架灯附件, 用于 CZ0879/3 Accessories for bracket type lamp, for CZ0879/3	套 Set	D8719/2
 G3/4"-300mm 直管 Straight pipe	支架灯附件, 材料为镀锌钢管, 表面喷塑 Accessories for bracket type, galvanized steel pipe material and powder coated surface	套 Set	D732
 吊链 (500mm) Chain type accessories	支架灯附件, M8 螺钉, 材料为钢制表面镀锌处理 Accessories for bracket type lamp, M8 bolt, made from steel with zinc-coated surface	套 Set	D623
 护栏式灯杆 Lamp pole of fence type	平台灯附件, G1½" 镀锌钢管表面喷塑。 Accessories for platform type lamp, G1½" galvanized steel pipe material and powder coated surface	套 Set	D8725
 法兰式灯杆 Lamp pole of flange type	平台灯附件, G1½" 镀锌钢管表面喷塑。 Accessories for platform type lamp, G1½" galvanized steel pipe material and powder coated surface	套 Set	D8726

配光曲线 Luminous intensity distribution curve: I (cd/1000 Lm)
CZ0879/1 防爆灯 Explosion-proof light fittings


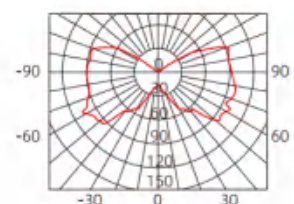
CZ0879-j70W



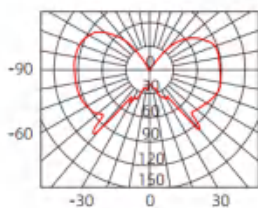
CZ0879-j150W



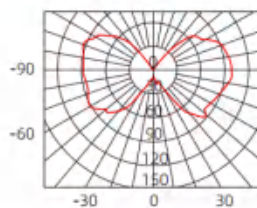
CZ0879-N70W



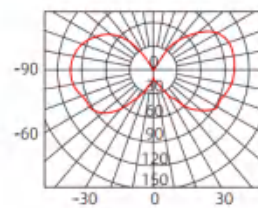
CZ0879-N100W

D
CZ0879/2 防爆灯 Explosion-proof light fittings


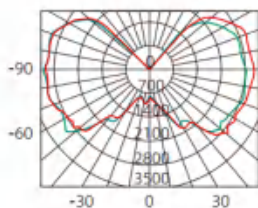
CZ0879-j250W



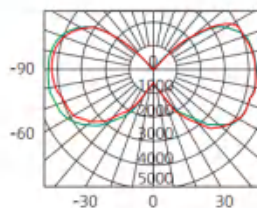
CZ0879-N150W



CZ0879-N250W

CZ0879/3 防爆灯 Explosion-proof light fittings


CZ0879-j400W



CZ0879-N400W

安装备件 Mounting spare parts

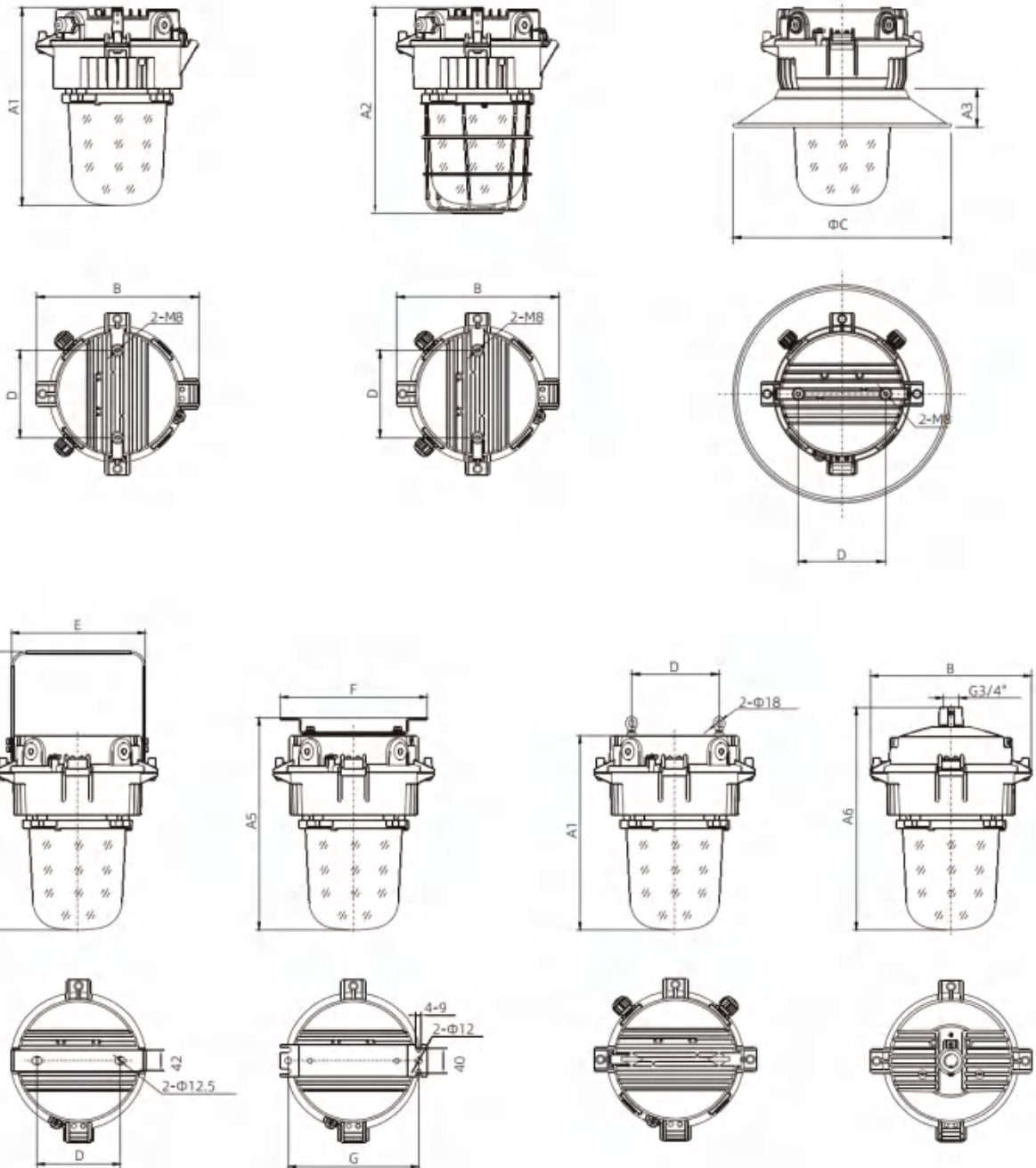
图样 Illustration	描述 Descriptions	单位 Unit	订购号 Order No.
 玻璃罩套件 Parts of glass cover	用于 CZ0879/1 灯具 Used for CZ0879/1 light fittings	套 Set	BL192/210
	用于 CZ0879/2 灯具 Used for CZ0879/2 light fittings	套 Set	BL192/290
	用于 CZ0879/3 灯具 Used for CZ0879/3 light fittings	套 Set	BL240/290
 网罩 Mesh	用于 CZ0879/1 灯具, 材质为不锈钢 Used for CZ0879/1 light fittings, the material is stainless steel	套 Set	D8718/1
	用于 CZ0879/2 灯具, 材质为不锈钢 Used for CZ0879/2 light fittings, the material is stainless steel	套 Set	D8718/2
	用于 CZ0879/3 灯具, 材质为不锈钢 Used for CZ0879/3 light fittings, the material is stainless steel	套 Set	D8718/3
 灯伞 lamp shade	用于 CZ0879/1、2 灯具 Used for CZ0879/1, 2 light fittings	只 Piece	D8724/5
	用于 CZ0879/3 灯具 Used for CZ0879/3 light fittings	只 Piece	D8724/6
 陶瓷灯座 Ceramics lampholder	规格 Specification: E27	只 Piece	K547H
	规格 Specification: E40	只 Piece	132/E40

光源备件 Spare parts of light source

图样 Illustration	功率 Power	灯座 Lampholder	光通量 Luminous flux	单位 Unit	订购号 Order No.
 金属卤化物灯泡-J Metal halide lamp bulb-J	70W	E27	5000 lm	只 Piece	HQI-E 70/N
	150W	E27	12500 lm	只 Piece	HQI-E 150/N
	250W	E40	20500 lm	只 Piece	HQI-T 250/D
	400W	E40	32000 lm	只 Piece	HQI-BT 400/D
 高压钠灯灯泡-N High pressure sodium vapor lamp bulb-N	70W	E27	5900 lm	只 Piece	NAV-T 70
	100W	E27	10000 lm	只 Piece	NAV-T 100SUPER
	150W	E40	14500 lm	只 Piece	NAV-T 150
	250W	E40	27000 lm	只 Piece	NAV-T 250
	400W	E40	48000 lm	只 Piece	NAV-T 400

外形及安装尺寸 Outline and installation dimensions

CZ0879/1、2、3 □ 防爆灯 Explosion-proof light fittings

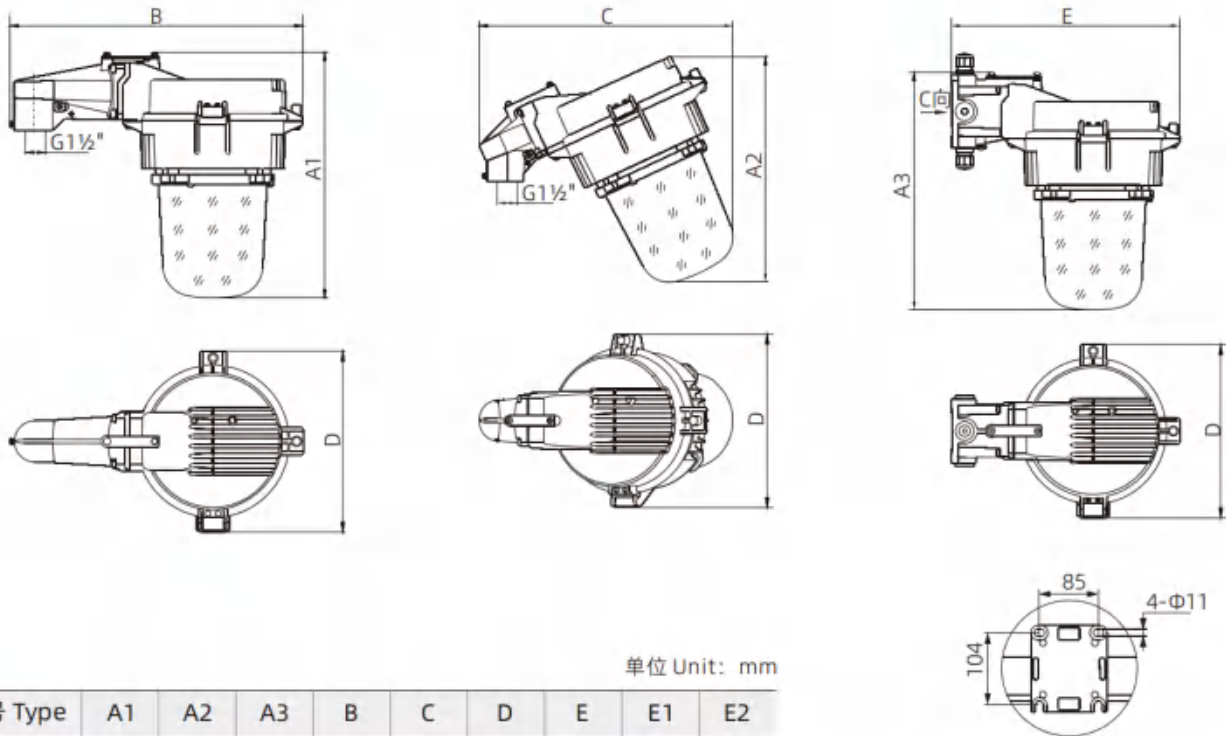


单位 Unit: mm

型号 Type	A1	A2	A3	A4	A5	A6	B	ΦC	D	E	F	G
CZ0879/1	362	380	70	578	392	412	297	399	160	258	270	240
CZ0879/2	442	460	70	658	472	492	297	399	160	258	270	240
CZ0879/3	510	535	85	750	540	560	350	450	200	303	370	340

外形及安装尺寸 Outline and installation dimensions

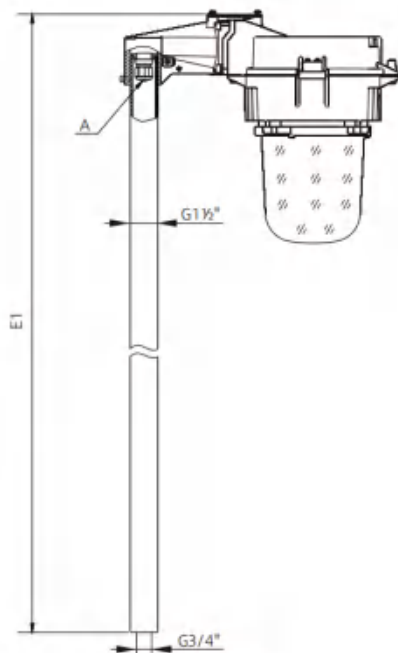
CZ0879/1、2、3 □ 防爆灯 Explosion-proof light fittings



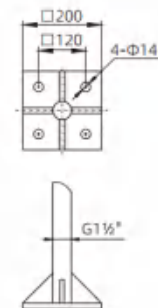
单位 Unit: mm

型号 Type	A1	A2	A3	B	C	D	E	E1	E2
CZ0879/1	405	386	406	480	435	297	391	2490	2575
CZ0879/2	485	460	486	480	465	297	391	2490	2575
CZ0879/3	555	530	553	535	530	350	443	2490	2600

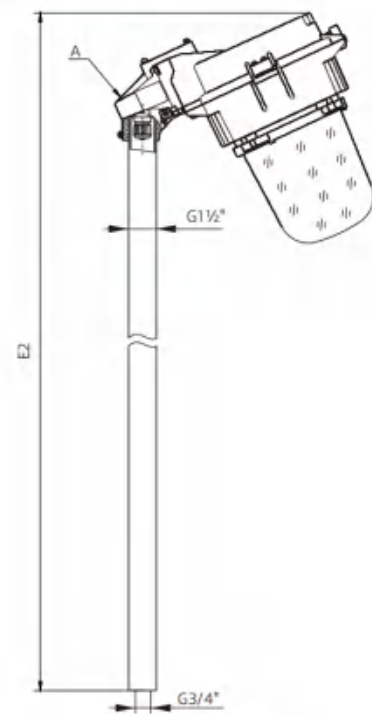
A 处表示内装M25塑制电缆密封套
 A represents a built-in moulded plastic M25 cable gland.



C - 灯头安装90°护栏式安装
 C - Lamp cap mounted in the angle of 90° Fence type



法兰式安装
 Flange type



D - 灯头安装25°护栏式安装
 D - Lamp cap mounted in the angle of 25° Fence type




D

描述 Descriptions

LED 防爆灯外壳由铝合金压铸成型，表面喷涂纯环氧树脂粉末，抗腐蚀性能好。透明件采用钢化玻璃，特殊耐久的密封结构，外露紧固件采用不锈钢材料。LED 防爆灯侧面进线，适用于橡胶套和铠装电缆布线，内部接线端子选用笼式端子，便于接线。LED 防爆灯具内部独特的隔热和散热设计，使灯具散热效果更佳。能满足石化、化学和海上工业照明的相关要求。

LED 防爆灯配置 LED 光源和 LED 驱动电源。

LED 防爆灯可分为吊杆灯、支架灯、平台灯、墙壁灯。

LED 防爆灯安装形式可分为吸顶式、吸壁式、吊链式。

LED 防爆平台灯头C-90° 安装形式可分为平台护栏式、平台法兰式两种。

LED 防爆平台灯头D-25° 安装形式可分为平台护栏式、平台法兰式两种。

- 可选配灯伞
- 安装维护方便
- 防护等级高达IP66
- IECEx、ATEX 国际认证
- 可定制高光效光源，光效 $\geq 135\text{lm/W}$ （符合中国一级能效标准）

2 区

21 区和 22 区

Zone 2

Zone 21 and zone 22

The enclosures of LED explosion-proof light fittings are die-cast aluminum alloy, with epoxy resin powder coated on the surfaces. Therefore, they have good anti-corrosion performance. The transparent part is made by toughened glass of anti-glare edged crystal, special durable sealing structure and the exposed fasteners are made of stainless steel. Ferrule suspension hook design between the kits of glass cover and the light body is used. LED explosion-proof light fitting's terminal box side entry is suitable for rubber-coated and the armored cable wiring. The cage type terminals are selected as the internal terminals, which are convenient for wiring. The unique design of heat insulation and heat dissipation inside the LED explosion-proof lamp makes the heat dissipation effect of the lamp better. It can satisfy the related requirements of illumination in chemical, petrochemical and marine industries.

The LED explosion-proof lights have LED light and LED driver power.

Explosion-proof light fittings can be sorted as: pendant pole type, bracket type, platform type and wall type.

The mounting ways of the explosion-proof light fittings are ceiling type, bracket type and chain type.

The mounting ways of the explosion-proof platform light fittings C-90° are fence type and platform flange type.

The mounting ways of the explosion-proof platform light fittings D-25° are fence type and platform flange type.

- It is convenient to be mounted and maintained.
- It can be fitted with lamp shade.
- The degree of protection is up to IP66.
- IECEx, ATEX International certification.
- Customized high light efficiency light source whose light efficiency $\geq 135\text{lm/w}$ (Meet China's first-class energy efficiency standards)

产品特点 Product characteristics



接线端子方便接线 The terminals are more convenient for wiring.



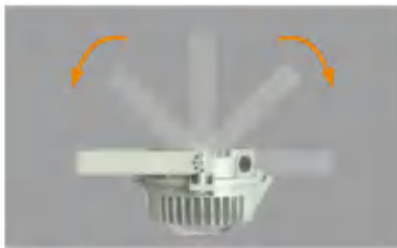
防爆平台灯头安装 C-90°
The mounting ways of the explosion-proof platform light fittings C-90°



灯具可按要求配置灯伞
The light fitting can be equipped with the lamp shade as request



灯具可按要求配置不锈钢网罩
The stainless steel mesh can be equipped as per request.



支架安装，多个角度可调节
Bracket installation, multiple angle adjustment



吊链式安装 Chain type



防爆平台灯头安装 D-25°
The mounting ways of the explosion-proof platform light fittings D-25°

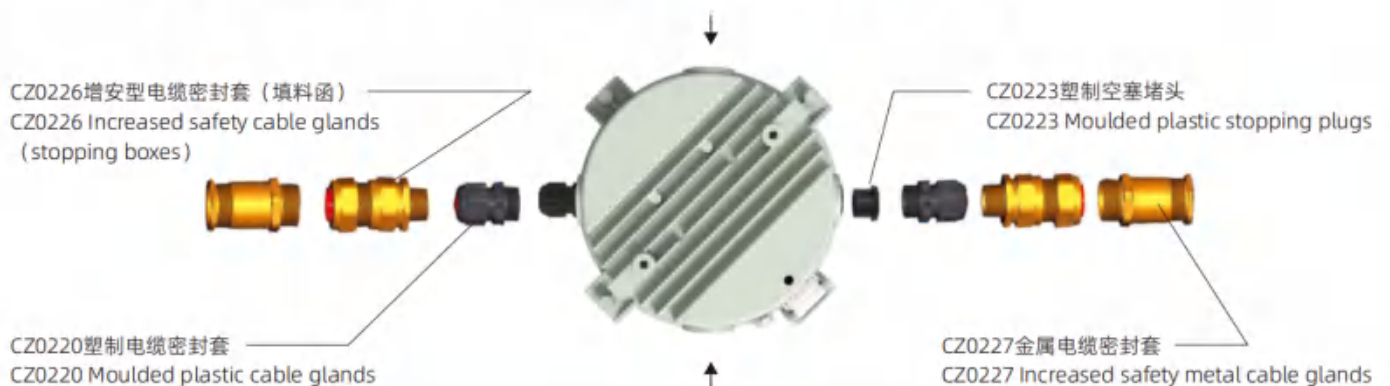


墙壁灯安装 Wall type lamp



吊杆灯安装 Pendant pole type lamp

四个引线方向和多种电缆引入装置 Four directions for wiring and many cable glands



主要数据 Main technical data

认证 Certification	防爆标志 Ex mark	符合标准 Meet the standard
China	Ex nR II C T6 Gc Ex tb IIIC T80°C Db	GB/T3836
IECEx	Ex nR II C T6 Gc Ex tb IIIC T80°C Db	IEC60079
ATEX	Ⓜ II 3 G Ex nR II C T6 Gc Ⓜ II 2 D Ex tb IIIC T80°C Db	EN60079

适用范围：用于 2 区、21 区和 22 区

防护等级：IP66

额定电压：100 ~ 250V AC 50/60Hz

 使用环境温度：-40°C to +40°C/+55°C
 -60°C to +40°C/+55°C

(-60°C 灯具电气设备需要定制)

色温：标配 5000K、(可选 3000K、4000K、6500K)

 接线端子：L1, N 端子 2-2.5mm², PE 端子 2×6mm²

 电缆入口：**A**-吊杆灯 (标配)

1×G3/4", 电缆外径：Φ11-15mm

B-支架灯 (标配)

塑制 1-M25×1.5, 电缆外径：Φ9-17mm

塑制 3-M25×1.5 空塞堵头

C-平台灯 90° (标配)

D-平台灯 25° (标配)

塑制 1-M25×1.5, 电缆外径：Φ9-17mm

E-墙壁灯 (标配)

塑制 1-M25×1.5, 电缆外径：Φ9-17mm

塑制 3-M25×1.5 空塞堵头

Intended use: Can be used in zone 2, zone 21 and zone 22

Degree of protection: IP66

Rated voltage: 100 ~ 250V AC 50/60Hz

 Ambient temperature: -40°C to +40°C/+55°C
 -60°C to +40°C/+55°C

(-60°C lamp need to be customized)

Colour temperature: Standard 5000K, (Optional 3000K, 4000K, 6500K)

 Terminal: L1, N Terminal 2-2.5mm², PE terminal 2×6mm²

 Cable entry: **A**-Pendant pole type lamp (Standard configuration)

1×G3/4", outside diameter: Φ11-15mm

B-Bracket type lamp (Standard configuration)

Moulded plastic 1-M25×1.5, outside diameter: Φ9-17mm

Moulded plastic 3-M25×1.5 stopping plug

C-Platform type lamp 90° (Standard configuration)

D-Platform type lamp 25° (Standard configuration)

Moulded plastic 1-M25×1.5, outside diameter: Φ9-17mm

E-Wall type lamp (Standard configuration)

Moulded plastic 1-M25×1.5, outside diameter: Φ9-17mm

Moulded plastic 3-M25×1.5 stopping plug

订购规格 Order specifications

图样 Illustration	功率 Power	光通量 Luminous flux	温度组别 T*		重量(kg) Weight	订购号 Order No.
			Tas40°C	Tas55°C		
 A	LED 30W	3825 lm	T6	T6	4.75	CZ0879/5 □ -LED30W5-17-□-□+□
	LED 45W	5197 lm	T6	T6	4.75	CZ0879/5 □ -LED45W5-17-□-□+□
	LED 60W	7128 lm	T6	T6	4.80	CZ0879/5 □ -LED60W5-17-□-□+□
 B	LED 75W	8632 lm	T6	T5	4.84	CZ0879/5 □ -LED75W5-17-□-□+□
	LED 90W	10005 lm	T5	T4	4.84	CZ0879/5 □ -LED90W5-17-□-□+□
 C	LED 90W	11943 lm	T6	T5	7.05	CZ0879/6 □ -LED90W5-17-□-□+□
	LED 120W	15281 lm	T5	T4	7.10	CZ0879/6 □ -LED120W5-17-□-□+□

A-吊杆灯 Pendant pole type lamp

B-支架灯 Bracket type lamp

C-平台灯 90° Platform type lamp 90°

D-平台灯 25° Platform type lamp 25°

E-墙壁灯 Wall type lamp

灯具安装形式

 The mounting ways
of the light fittings

色温 Colour temperature

3-3000K 4-4000K

5-5000K 6-6500K

使用环境温度 Ambient temperature

4 - -40°C ≤ Tas +40°C/+55°C

6 - -60°C ≤ Tas +40°C/+55°C

电缆引入装置编码详见 D/67 页 Code of cable gland see page D/67

安装附件订购号 (不配不注)。详见 D/67 页

Order No. of mounting accessories (Optional), see page D/67

电缆密封套引入编码 Code of cable gland
B—支架灯电缆密封套编码 Code of cable gland for bracket type lamp

E—墙壁灯电缆密封套编码 Code of cable gland for wall type lamp

编码 Code	规格 Specifications	电缆直径 Cable diameter
13	塑制 1 个 M25×1.5 电缆密封套, 塑制 3 个 M25×1.5 空塞堵头 One moulded plastic M25×1.5 cable gland, three moulded plastic M25×1.5 stopping plugs	Φ9-17mm
22	塑制 2 个 M25×1.5 电缆密封套, 塑制 2 个 M25×1.5 空塞堵头 Two moulded plastic M25×1.5 cable glands, two moulded plastic M25×1.5 stopping plugs	Φ9-17mm
31	塑制 3 个 M25×1.5 电缆密封套, 塑制 1 个 M25×1.5 空塞堵头 Three moulded plastic M25×1.5 cable glands, one moulded plastic M25×1.5 stopping plug	Φ9-17mm
40	塑制 4 个 M25×1.5 电缆密封套 Four moulded plastic M25×1.5 cable glands	Φ9-17mm
04	塑制 4 个 M25×1.5 空塞堵头 Four moulded plastic M25×1.5 stopping plugs	







注: 如配金属电缆密封套, 在编码后注明。 Note: If metal cable gland is required, pls note after code.

 注: **A**—吊杆灯入口螺纹为G3/4"已标配, 不需再标注; **C**、**D**—平台灯电缆密封套已标配, 不需再标注。

 Note: **A**—Cable entry thread G3/4" for pendant pole type lamp is equipped, no need to be mentioned.

C, D—Cable gland for platform type lamp is equipped, no need to be mentioned.

安装附件 Mounting accessories

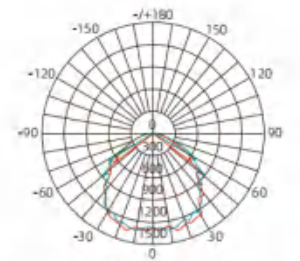
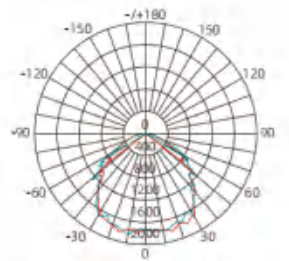
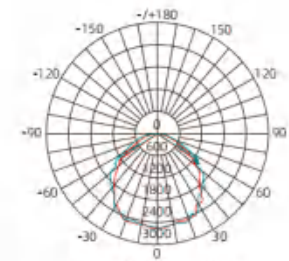
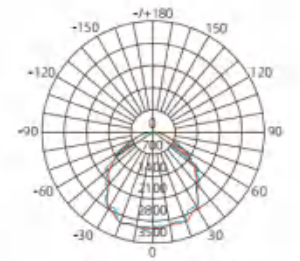
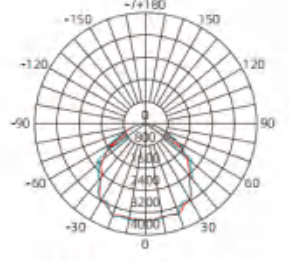
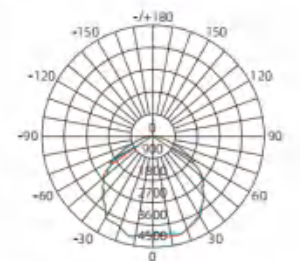
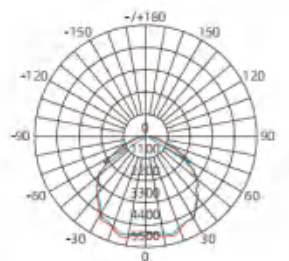
图样 Illustration	描述 Descriptions	单位 Unit	订购号 Order No.
 吸顶支架 Ceiling bracket	支架灯附件, 用于CZ0879/5 Accessories for bracket type lamp, for CZ0879/5	套 Set	D8722/2
	支架灯附件, 用于CZ0879/6 Accessories for bracket type lamp, for CZ0879/6	套 Set	D8722/3
 安装支架 Mounting bracket	支架灯附件, 用于CZ0879/5 Accessories for bracket type lamp, for CZ0879/5	套 Set	D8719/1
	支架灯附件, 用于CZ0879/6 Accessories for bracket type lamp, for CZ0879/6	套 Set	D8719/2
 G3/4"-300mm直管 Straight pipe	支架灯附件, 材料为镀锌钢管, 表面喷塑 Accessories for bracket type lamp, galvanized steel pipe material and powder coated surface	套 Set	D732
 吊链 (500mm) Chain type accessories	支架灯附件, M8螺钉, 材料为钢制表面镀锌处理 Accessories for bracket type lamp, M8 bolt, made from steel with zinc-coated surface	套 Set	D623
 护栏式灯杆 Lamp pole of fence type	平台灯附件, G1½"镀锌钢管表面喷塑。 Accessories for platform type lamp, G1½" galvanized steel pipe material and powder coated surface	套 Set	D8725
 法兰式灯杆 Lamp pole of flange type	平台灯附件, G1½"镀锌钢管表面喷塑。 Accessories for platform type lamp, G1½" galvanized steel pipe material and powder coated surface	套 Set	D8726

安装备件 Mounting spare parts

图样 Illustration	描述 Descriptions	单位 Unit	订购号 Order No.
 玻璃罩套件 Parts of glass cover	用于 CZ0879/5 灯具 Used for CZ0879/5 light fittings	套 Set	BL183/072
	用于 CZ0879/6 灯具 Used for CZ0879/6 light fittings	套 Set	BL236/072
 网罩 Mesh	用于 CZ0879/5 灯具 Used for CZ0879/5 light fittings	套 Set	D8718/5
	用于 CZ0879/6 灯具 Used for CZ0879/6 light fittings	套 Set	D8718/6
 灯伞 lamp shade	用于 CZ0879/5 灯具 Used for CZ0879/5 light fittings	只 Piece	D8724/5
	用于 CZ0879/6 灯具 Used for CZ0879/6 light fittings	只 Piece	D8724/6

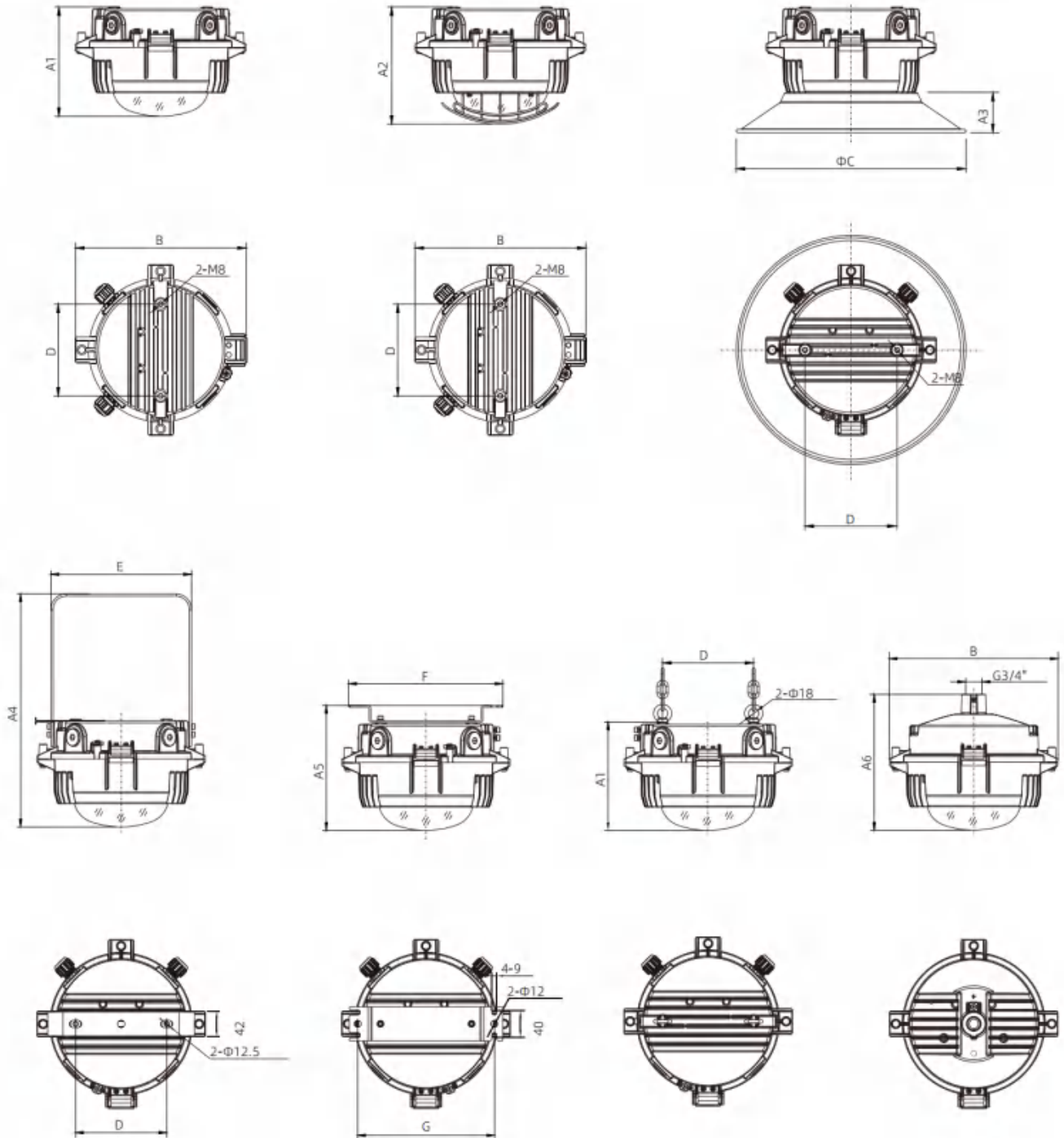
配光曲线 Luminous intensity distribution curve — C0/180 — C90/270

光强单位 luminous intensity unit: cd/1000Lm

CZ0879/5 LED 防爆灯 LED Explosion-proof light fittings

 平均光束角 (50%) : 111.3度
 The average beam angle (50%) : 111.3 Degree
CZ0879/5-LED30W

 平均光束角 (50%) : 110.1度
 The average beam angle (50%) : 110.1 Degree
CZ0879/5-LED45W

 平均光束角 (50%) : 111.8度
 The average beam angle (50%) : 111.8 Degree
CZ0879/5-LED60W

 平均光束角 (50%) : 107.4度
 The average beam angle (50%) : 107.4 Degree
CZ0879/5-LED75W

 平均光束角 (50%) : 107.2度
 The average beam angle (50%) : 107.2 Degree
CZ0879/5-LED90W
CZ0879/6 LED 防爆灯 LED Explosion-proof light fittings

 平均光束角 (50%) : 113.2度
 The average beam angle (50%) : 113.2 Degree
CZ0879/6-LED90W

 平均光束角 (50%) : 111.4度
 The average beam angle (50%) : 111.4 Degree
CZ0879/6-LED120W

外形及安装尺寸 Outline and installation dimensions

CZ0879/5、6 □ LED 防爆灯 LED explosion-proof light fittings

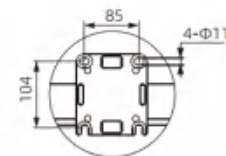
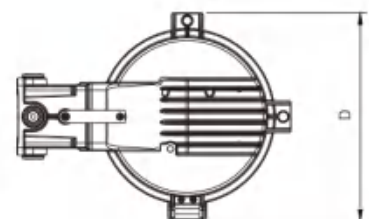
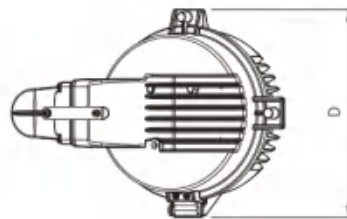
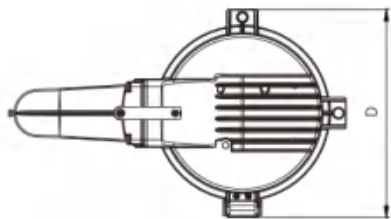
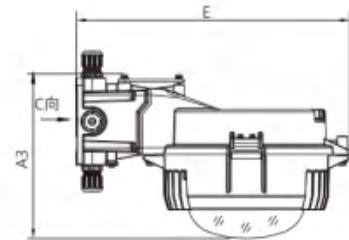
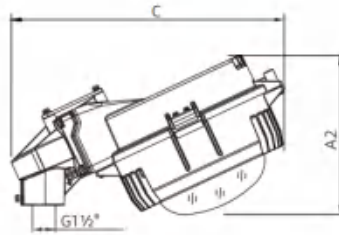
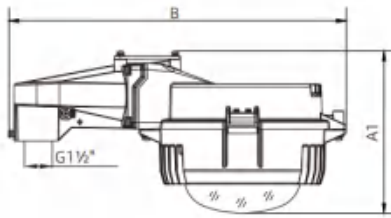


单位 Unit: mm

型号 Type	A1	A2	A3	A4	A5	A6	B	ΦC	D	E	F	G
CZ0879/5	190	203	70	410	220	239	297	399	160	258	270	240
CZ0879/6	211	224	85	427	241	260	350	450	200	303	370	340

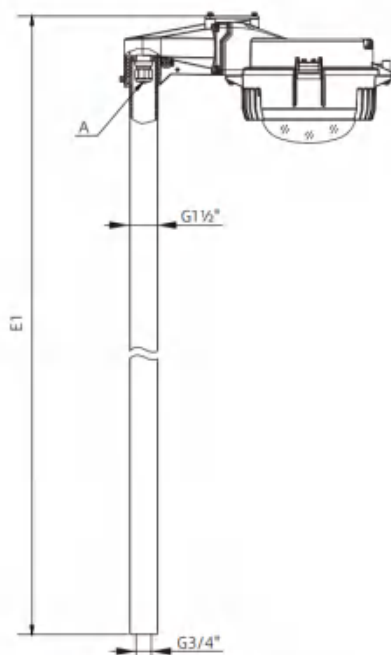
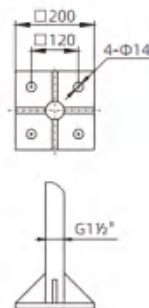
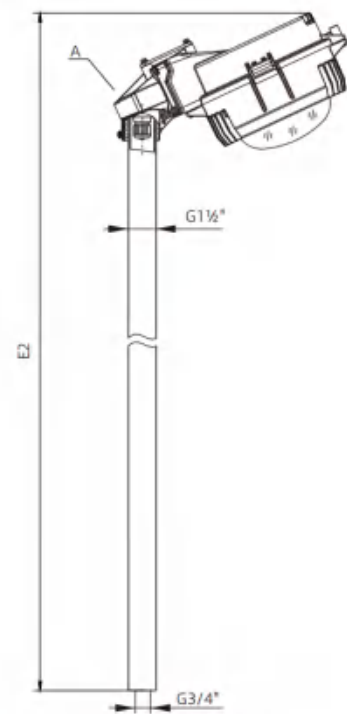
外形及安装尺寸 Outline and installation dimensions

CZ0879/5、6□ LED 防爆灯 LED explosion-proof light fittings



单位 Unit: mm

型号 Type	A1	A2	A3	B	C	D	E	E1	E2
CZ0879/5	231	228	234	480	390	297	391	2490	2575
CZ0879/6	252	265	255	534	440	350	443	2490	2600

 A 处表示内装M25塑料制电缆密封套
 A represents a built-in moulded plastic M25 cable gland.

 C - 灯头安装90°护栏式安装
 C - Lamp cap mounted in the angle of 90° Fence type

 法兰式安装
 Flange type

 D - 灯头安装25°护栏式安装
 D - Lamp cap mounted in the angle of 25° Fence type