



2 区

Zone 2

21 区和 22 区

Zone 21 and zone 22

# 防爆灯具篇

Explosion-proof light fittings

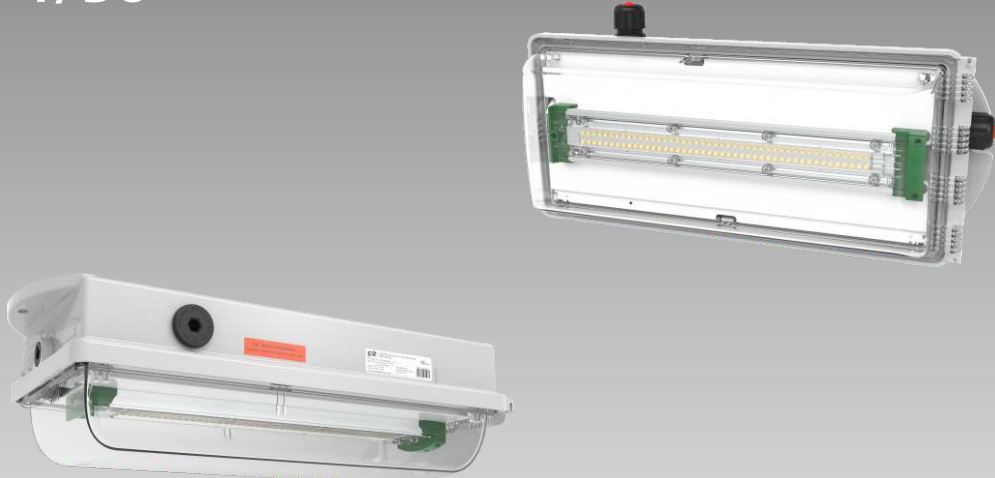


CZ0274/30 防爆 LED 条形灯  
CZ1875、CZ1876 全塑防爆（应急）LED条形灯  
CZ1875、CZ1876 全塑防爆（应急）T8 LED灯  
CZ1373/3、CZ1373/4 防爆（应急）LED条形灯  
CZ1371、CZ1372 防爆LED（应急）条形灯  
CZ1371、CZ1372 防爆（应急）T8 LED灯

CZ0879 防爆灯  
CZ0870n 防爆灯  
CZ6470/311 LED 防爆灯  
CZ0878n 防爆泛光灯 LED  
CZ0878n 防爆泛光灯

[www.cz-ex.net](http://www.cz-ex.net) / [www.cz-ex.com](http://www.cz-ex.com)

# CZ0274/30


**D**

## 描述 Descriptions

防爆 LED 条形灯壳体由玻璃纤维增强聚酯压模成型，透明罩采用抗紫外线PC注塑成型，其稳定性及机械强度高，对工厂中多种化学物质具有良好的防护能力。壳体与透明罩间设有防护硅橡胶密封圈，通过联锁机构使其压紧。选择行程开关具有机械连锁开盖断电功能。内部配有电源模块，带有恒流输出和过温保护功能。LED 光源模块采用了最新的高光效 LED 颗粒，配光与显色性能优异。适用于爆炸性气体与粉尘环境内做正常照明。

- 可选配防爆行程开关和防爆熔断器
- LED光源模块专业光学设计，发光角度为110°。
- LED电源模块有过温保护、过压保护、短路保护功能。
- 防护等级高达IP66
- IECEx 国际认证，ATEX 欧洲认证

The enclosures of full plastic explosion-proof LED linear light fittings are manufactured by glass fibre reinforced polyester and the transparent parts are molded by anti-ultraviolet PC injection. They have good protection ability from various chemical matters in factories because of high stability and mechanical strength. The sealing gasket between the enclosure and the transparent parts are compacted by the interlock device. the isolation switch is activated by the interlock device to cut off the power supply once the enclosure is opened. The power supply module, inverter module inside have the functions of constant current output and over temperature protection. With latest high-efficient LED chips, LEDs modules have excellent luminous intensity and color rendering performance. Applicable in explosive gas and dust atmosphere for normal light.

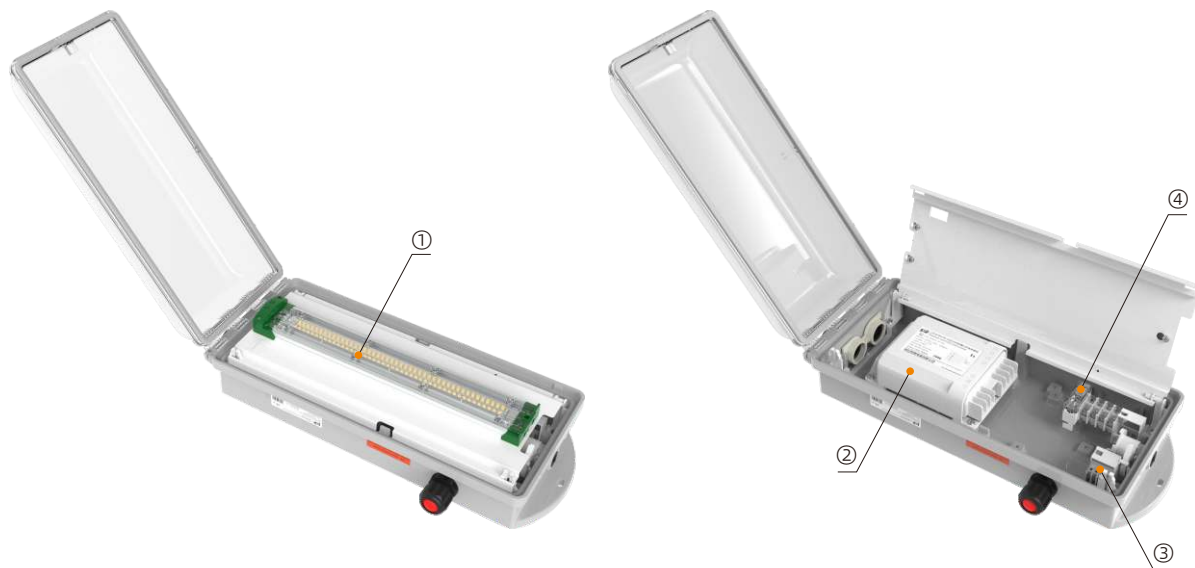
- Explosion-proof isolation switch and explosion-proof fuse are optional.
- Professional optical design of LED light source module, the light-emitting angle is 110°.
- The LED power module has the functions of over temperature protection, over voltage protection and short circuit protection.
- Degree of protection up to IP66.
- IECEx and ATEX certified.

## 2 区

## 21 区和 22 区

## Zone 2

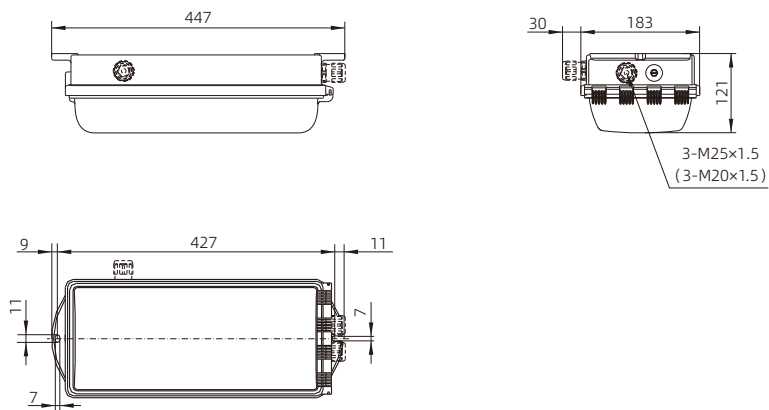
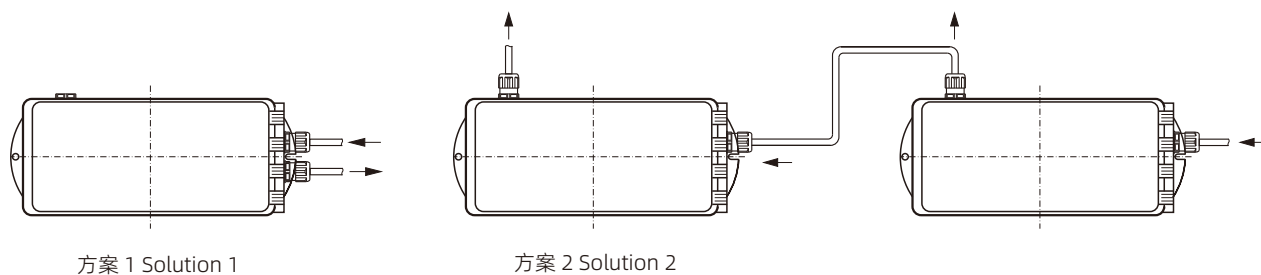
## Zone 21 and zone 22

**示意图 Diagram**


- |                |  |
|----------------|--|
| ① LED 光源模块     | ① LED light source module                        |
| ② 电源模块         | ② Power supply module                            |
| ③ 防爆行程开关 (可选)  | ③ Explosion-proof limit switch module (optional) |
| ④ 防爆熔断器模块 (可选) | ④ Explosion-proof fuse module (optional)         |

**外形尺寸 Outline dimensions**

单位 Unit: mm


**电缆连接回路示意图 Cable wiring diagram**


方案 1 Solution 1

方案 2 Solution 2

**主要数据 Main technical data**

认证 Certification	防爆标志 Ex mark	符合标准 Meet the standard
China	Ex ec II C T5/T4 Gc Ex tb IIIC T80°C Db Ex db ec II C T5/T4 Gc Ex tb IIIC T80°C Db 配置行程开关 With limit switch Ex db ec mb II C T5/T4 Gc Ex tb IIIC T80°C Db 配置行程开关和熔断器 With limit switch and fuse	GB/T3836
IECEX	Ex ec II C T5/T4 Gc Ex tb IIIC T80°C Db Ex db ec II C T5/T4 Gc Ex tb IIIC T80°C Db 配置行程开关 With limit switch Ex db ec mb II C T5/T4 Gc Ex tb IIIC T80°C Db 配置行程开关和熔断器 With limit switch and fuse	IEC60079
ATEX	ⓂII 3G2D Ex ec II C T5/T4 Gc Ex tb IIIC T80°C Db ⓂII 3G2D Ex db ec II C T5/T4 Gc Ex tb IIIC T80°C Db 配置行程开关 With limit switch ⓂII 3G2D Ex db ec mb II C T5/T4 Gc Ex tb IIIC T80°C Db 配置行程开关和熔断器 With limit switch and fuse	EN60079

适用范围：用于 2 区

用于 21 区和 22 区

使用环境温度：-40°C ≤ Ta ≤ +40°C (T5)

-40°C ≤ Ta ≤ +50°C (T4)

防护等级：IP66

额定电压：AC 100 ~ 250V 50/60Hz、DC 100 ~ 250V

额定电流：Max 0.17A

色温：标配 5000K，（可选 3000K、4000K、6500K）

显色指数：Ra ≥ 80

功率因数：λ &gt; 0.85

 接线端子：2 × 2.5mm<sup>2</sup>

电气配置：可选防爆行程开关、防爆熔断器

电缆入口：标配 M25（可选 M20）

塑制 1-M25 × 1.5，电缆外径：Φ9-17mm

塑制 2-M25 × 1.5 空塞堵头

符合：CE 2460

Intended use: Can be used in zone 2

Can be used in zone 21 and zone 22

Ambient temperature use: -40°C ≤ Ta ≤ +40°C (T5)

-40°C ≤ Ta ≤ +50°C (T4)

Degree of protection: IP66

Rated voltage: AC 100 ~ 250V 50/60Hz、DC 100 ~ 250V

Rated current: Max 0.17A

Colour temperature: Standard 5000K, (Optional 3000K, 4000K, 6500K)

Color rendering index: Ra ≥ 80

Power factor: λ &gt; 0.85

 Terminals: 2 × 2.5mm<sup>2</sup>

 Electrical configuration: Optional Explosion-proof isolation switch  
 Explosion-proof fuse

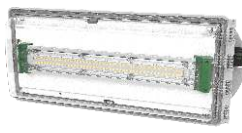
Cable entry: Standard M25 (Optional M20)

Moulded plastic 1-M25 × 1.5 cable gland, outside diameter of cable: Φ9-17mm

Moulded plastic 2-M25 × 1.5 stopping plugs

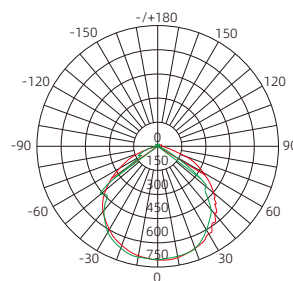
Conformity to: CE 2460

**订购规格 Order specifications**

图样 Illustration	光源功率 Power of light source	光通量 Luminous flux	重量(Kg) Weight	订购号 Order No.
	1 × LED 16W	1851 lm	3.36	<b>CZ0274/30-LED0016WWB5B-17-□-B2</b>
		3-3000K 4-4000K 5-5000K 6-6500K		色温 Colour temperature
		K: 防爆行程开关模块 Explosion-proof limit switch module KF: 防爆行程开关模块、防爆熔断器模块 Explosion-proof limit switch module, Explosion-proof fuse module		不配不注 Optional
				电缆引入装置编码 Code of cable gland

**配光曲线 Luminous intensity distribution curve**
— C0/180 — C90/270

光强单位 luminous intensity unit: cd/1000 lm



平均光束角 (50%) : 109.2度

The average beam angle (50%) : 109.2 Degree

CZ0274/30-LED0016WWB5B-17

**电缆引入装置编码 Code of cable entry device**

编码 Code	规格 Specifications	电缆直径 Cable diameter
<b>B1</b>	塑制 1 个 M20×1.5 电缆密封套, 塑制 2 个 M20×1.5 空塞堵头 One moulded plastic M20×1.5 cable gland, two moulded plastic M20×1.5 stopping plugs	Φ6-13mm
<b>C1</b>	铜制 1 个 CZ0221/M20×1.5 金属电缆密封套, 塑制 2 个 M20×1.5 空塞堵头 One brass CZ0221/M20×1.5 metal cable gland, two moulded plastic M20×1.5 stopping plugs	Φ6-13mm
<b>D1</b>	塑制 2 个 M20×1.5 电缆密封套, 塑制 1 个 M20×1.5 空塞堵头 Two moulded plastic M20×1.5 cable glands, one moulded plastic M20×1.5 stopping plug	Φ6-13mm
<b>E1</b>	铜制 2 个 CZ0221/M20×1.5 金属电缆密封套, 塑制 1 个 M20×1.5 空塞堵头 Two brass CZ0221/M20×1.5 metal cable glands, one moulded plastic M20×1.5 stopping plug	Φ6-13mm
<b>B2</b>	塑制 1 个 M25×1.5 电缆密封套, 塑制 2 个 M25×1.5 空塞堵头 One moulded plastic M25×1.5 cable gland, two moulded plastic M25×1.5 stopping plugs	Φ9-17mm
<b>C2</b>	铜制 1 个 CZ0221/M25×1.5 金属电缆密封套, 塑制 2 个 M25×1.5 空塞堵头 One brass CZ0221/M25×1.5 metal cable gland, two moulded plastic M25×1.5 stopping plugs	Φ9-17mm
<b>D2</b>	塑制 2 个 M25×1.5 电缆密封套, 塑制 1 个 M25×1.5 空塞堵头 Two moulded plastic M25×1.5 cable glands, one moulded plastic M25×1.5 stopping plug	Φ9-17mm
<b>E2</b>	铜制 2 个 CZ0221/M25×1.5 金属电缆密封套, 塑制 1 个 M25×1.5 空塞堵头 Two brass CZ0221/M25×1.5 metal cable glands, one moulded plastic M25×1.5 stopping plug	Φ9-17mm

**备件 Spare parts**

图样 Illustration	描述 Descriptions	单位 Unit	订购号 Order No.
 LED 光源模块 LED light source module	功率 Power: 16W / 2299 lm / 5000K	只 Piece	<b>CZ1718/11B-LED16WWB5B</b>
 电源模块 Power supply module	功率: 1×16W, 用于 1×LED16W 条形灯 AC100~250V Power: 1×16W, Used for 1×LED16W linear light fittings	只 Piece	<b>CZ1718/57B-LED16W</b>
 接地螺母 Earthing nut	金属接地螺母 2-M20×1.5 Metal earthing nut 2-M20×1.5	套 Set	<b>D8714/2-M20</b>
	金属接地螺母 2-M25×1.5 Metal earthing nut 2-M25×1.5	套 Set	<b>D8714/2-M25</b>
 防爆行程开关模块 Explosion-proof limit switch module	防爆型式 Type of protection ⊕ II 2G Ex db eb IIC Gb 触点二常闭 (2NC) Contact: 2NC	只 Piece	<b>CZ0207-1</b>
 防爆熔断器模块 Explosion-proof fuse module		0.8A	只 Piece <b>CZ0804 / T0.8A</b>
	防爆型式 Type of protection ⊕ II 2G Ex e mb II C Gb	1.25A	只 Piece <b>CZ0804 / T1.25A</b>
		6.3A	只 Piece <b>CZ0804 / T6.3A</b>