

CZ1865 / CZ1866



描述 Descriptions

全塑防爆（应急）LED条形灯壳体由玻璃纤维增强聚酯压模成型，透明罩采用抗紫外线 PC 注塑成型，既适用于爆炸性环境，也适用于强腐蚀性的石化、化学场所和海洋环境等作为照明用。

全塑防爆（应急）LED条形灯采用模块化设计，带有机械联锁装置，通过内置防爆行程开关，实现开盖断电功能，内装LED光源模块、电源模块等Ex元件（U证），安装、维修和更换方便快捷。

全塑防爆应急LED条形灯，在全塑防爆LED条形灯基础上加装独立应急电池箱，实现应急照明功能，应急电池箱内置机械联锁开关，实现开盖断电功能。

全塑防爆LED条形灯（智能型）通过调光控制系统对灯具的照明需求进行改变，达到绿色节能照明。

全塑防爆（应急）LED条形灯安装型式分为标准型和杆式安装型。

- 全塑防爆（应急）LED条形灯标准型选装安装附件实现吸顶式、吊链式、吊杆式、壁式和夹管式安装。
- 全塑防爆（应急）LED条形灯杆式安装型选装安装附件实现平台灯、墙壁灯。
- 设有联锁机构，透明罩与壳体没有完全闭合密封时不能通电工作，确保使用安全。
- 应急照明设有故障信号指示、充电信号指示、放电信号指示。
- LED光源模块有两种光学设计，发光角度分别为55°和110°。
- LED电源模块有过温保护、过压保护、短路保护功能。
- 永不变形的结构设计，防护等级高达IP66。
- IECEx 国际认证，ATEX 欧洲认证。
- 可定制高光效光源，光效≥135lm/w（符合中国一级能效标准）
- 智能型LED条形灯具备0-10V可调光。

The enclosure of full plastic explosion-proof LED (emergency) linear light fittings are manufactured by glass fiber reinforced polyester and transparent parts are manufactured by anti-ultraviolet polycarbonate. It is not only suitable for explosive environment, but also suitable for highly corrosive petrochemical, chemical places and marine environment as lighting purpose.

The full plastic explosion-proof LED (emergency) linear light fittings using modular design, with mechanical interlocking device, which can cut off power when cover-opening.

The inner is equipped with LED light source module, power supply and other Ex components (U certificate), which is convenient for installation, maintenance and replacement.

The full plastic explosion-proof emergency LED linear light fittings is equipped with emergency battery module for emergency illumination function. The emergency battery module has a built-in mechanical interlock switch cut off power when cover-opening.

The full plastic explosion-proof LED linear light fittings (Intelligent) can change the illumination of the lamp through the dimming control system, so as to achieve green energy-saving lighting.

The installation type of full plastic explosion-proof (emergency) LED linear light fittings is divided into standard type and polemounting type.

- Full plastic explosion-proof (emergency) LED linear light fittings mounting ways: ceiling type, chain type, rod pendant type, wall type and clamp type.
- Full plastic explosion-proof (emergency) LED linear light fittings (pole mounting) mounting ways: Platform type, Wall type.
- With interlock device, it can't power on when transparent part and enclosure are not closed well.
- Emergency lighting have indicators of fault, charging and discharging.
- LED light source module has two optical design, and the luminous angle is 55° and 110°.
- The LED power supply come with the protective functions of over temperature, over voltage and short circuit.
- The structural design is never distortion and its protection degree is up to IP66.
- IECEx and ATEX certified.
- Customized high light efficiency light source whose light efficiency ≥ 135lm/w (Meet China's first-class energy efficiency standards)
- Intelligent LED linear light fittings are equipped with 0-10V dimming device.

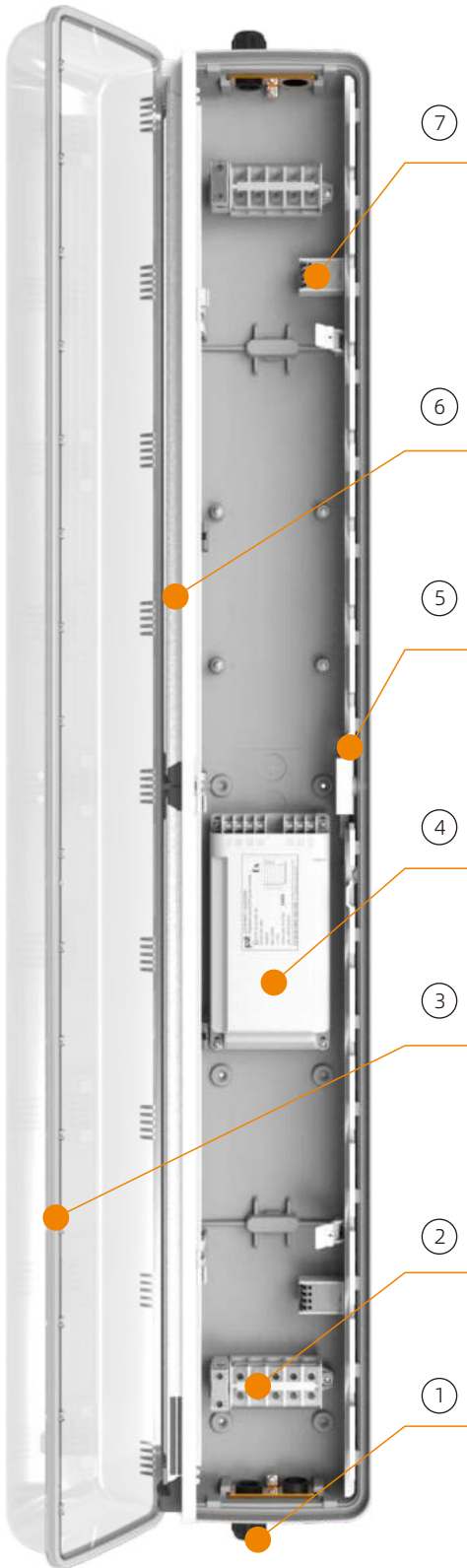
1 区和 2 区

21 区和 22 区

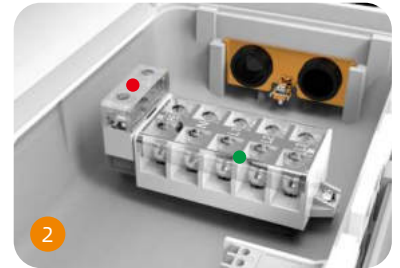
Zone 1 and zone 2

Zone 21 and zone 22

示意图 Diagram



① 电缆密封套和空塞堵头
(可选金属电缆密封套)
Cable gland and stopping plug
(optional metal cable gland)



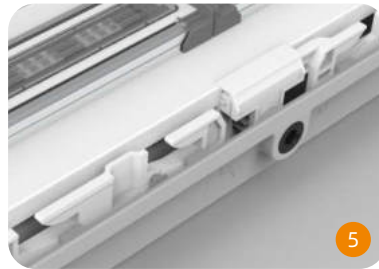
② 接线端子
Terminals
● 防爆熔断器模块
Explosion-proof fuse module



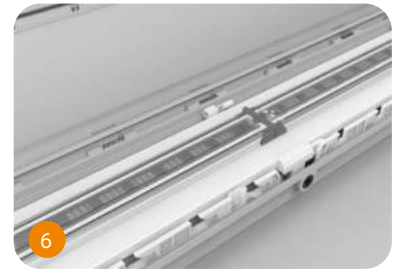
③ 硅胶密封圈, 防护等级IP66
Silicon rubber sealing ring, degree is IP66



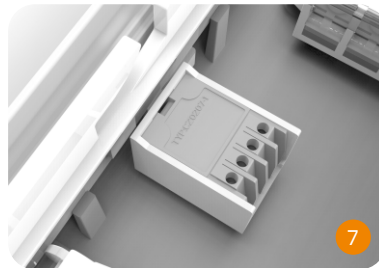
④ 防爆电源可调光模块 (0-10V)
Explosion-proof power supply module with lighting dimming (0-10V)



⑤ 开锁装置, 内部锁扣采用多点式锁钩
Lock device, internal lock is multi-point hook structure

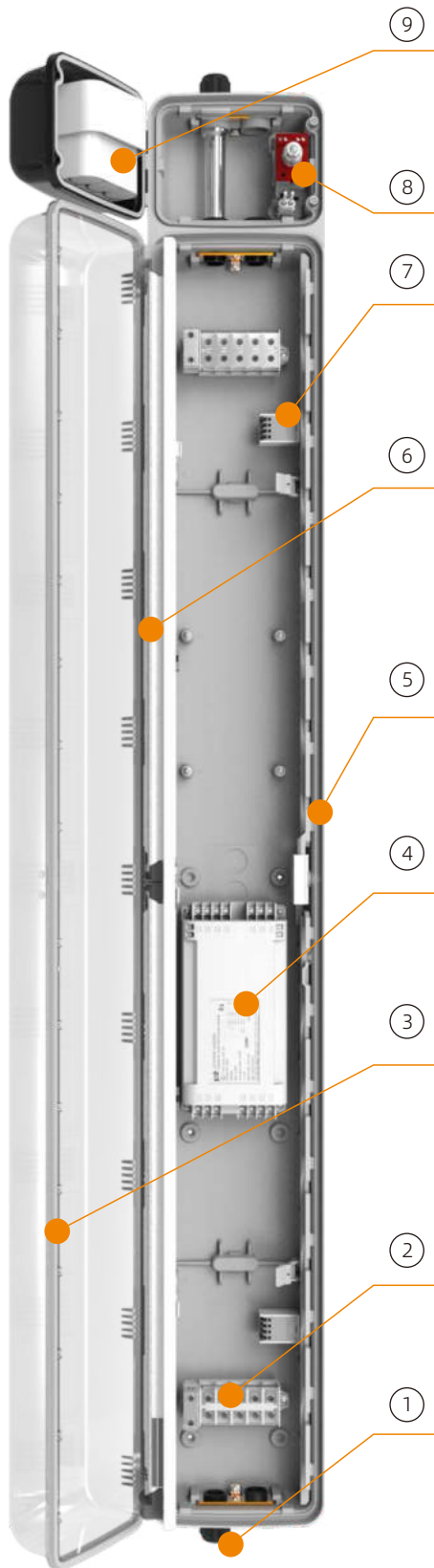


⑥ 防爆LED光源模块
Explosion-proof LED light source module



⑦ 防爆行程开关模块
Explosion-proof limit switch module

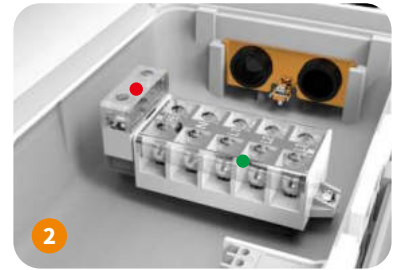
全塑防爆LED条形灯
Full plastic explosion-proof
LED linear light fittings

示意图 Diagram:


全塑防爆应急LED条形灯
 Full plastic explosion-proof
 emergency LED linear light fittings



1
 电缆密封套和空塞堵头
 (可选金属电缆密封套)
 Cable gland and stopping plug
 (optional metal cable gland)



2
 ● 接线端子
 ● Terminals
 ● 防爆熔断器模块
 ● Explosion-proof fuse module



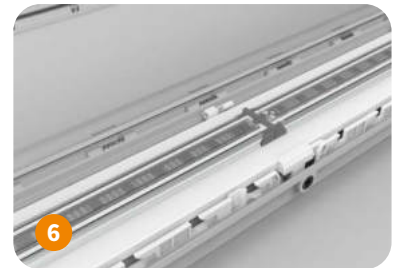
3
 硅胶密封圈, 防护等级IP66
 Silicon rubber sealing ring, degree is
 IP66



4
 防爆LED逆变模块
 Explosion-proof LED inverter module



5
 开锁装置, 内部锁扣采用多点式锁钩
 Lock device, internal lock is multi-point
 hook structure



6
 防爆LED光源模块
 Explosion-proof LED light source
 module



7
 防爆行程开关模块
 Explosion-proof limit switch module

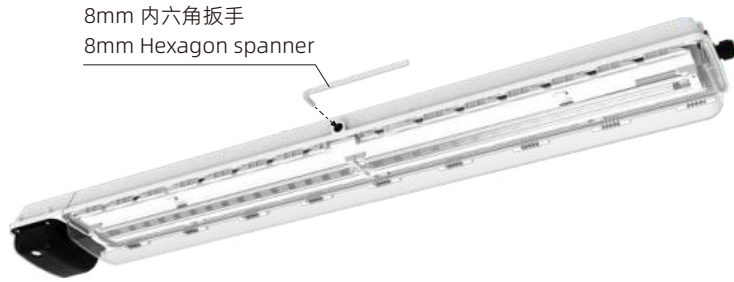


8
 应急电池箱内部防爆开关模块, 具有开盖
 断电和充放电指示
 Emergency battery box with explosion
 -proof switch module inside, which is
 indication of cut off power when
 opening cover, charging and
 discharging status



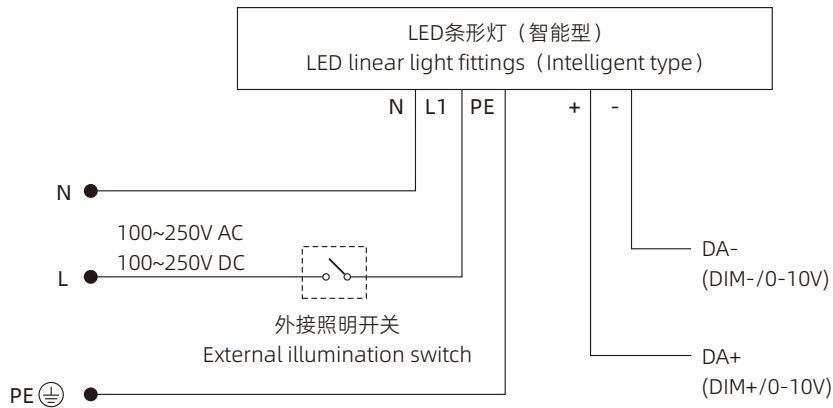
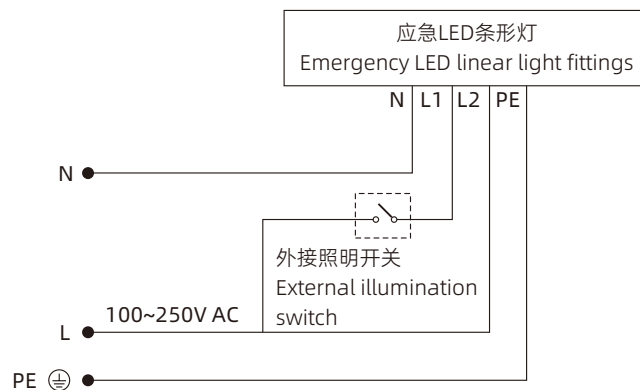
9
 应急电池箱内部电池模块
 Emergency battery box with battery
 module inside

● 预装电缆穿线管, 无须打开应急电池箱
 盖, 电缆快捷穿过电池箱到达灯腔接线
 端子
 ● Cable threading pipe is pre-installed
 in emergency box, so no need to
 open the emergency box for wiring.
 Cable can quickly pass through the
 battery box to the wiring terminals.

示意图 Diagram


灯具设有机械联锁压紧装置和自动断电功能。用内六角打开时，自动切断正常照明和应急电源；闭合时，锁紧密封和自动送电。

The light fitting is equipped with mechanical interlocking pressing device and automatic power off function. Either the normal lighting or emergency power supply are automatically cut off when it is opened with a hexagon spanner. The power will be automatically transmitted when the light fitting is locked and sealed well.

灯具安装线路图 Wiring diagram for light fittings

应急灯具安装线路图 Wiring diagram for emergency light fittings


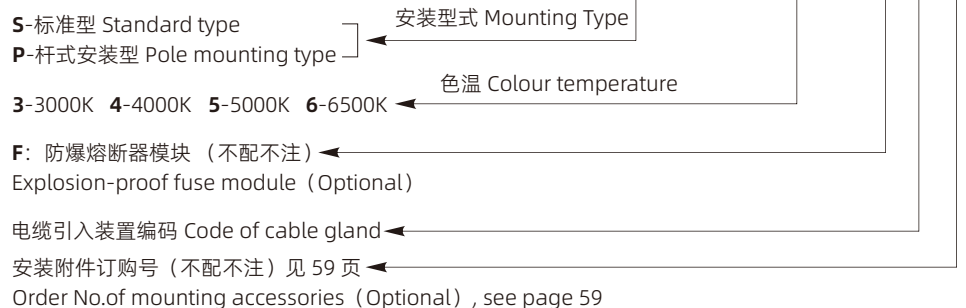
主要数据 Main technical data

认证 Certification	防爆标志 Ex mark	符合标准 Meet the standard
China	Ex db eb mb q IIC T5/T4 Gb Ex tb IIIC T80°C Db	GB/T3836
IECEX	Ex db eb mb q IIC T5/T4 Gb Ex tb IIIC T80°C Db	IEC60079
ATEX	Ex II 2 G D Ex db eb mb q IIC T5/T4 Gb Ex tb IIIC T80°C Db	EN60079

适用范围: 用于 1 区和 2 区 用于 21 区和 22 区 使用环境温度: -40°C≤Ta≤+40°C (T5) -40°C≤Ta≤+55°C (T4) 防护等级: IP66 (IP64 配呼吸阀 CZ0527) 额定电压: AC100 ~ 250V 50/60Hz, DC 100~250V 光源: LED 色温: 标配5000K, (可选3000K、4000K、6500K) 高功率因数/低谐波: > 0.9, < 15% 调光范围: 10%-100%, 支持关灯 隔离的 0-10V 调光 可配置的输出窗口 (Iout/Vout) 适用安装高度: 宽光型: ≤3m; 窄光型: 3 ~ 6m 接线端子: L1、L2、L、N、PE, 每个端子 2×1.5-10mm ² 电气配置: 标配防爆行程开关 (可选防爆熔断器) 电缆入口: 标配M25 (可选M20) 标准型: 塑制 1-M25×1.5, 电缆外径: Φ9-17mm 塑制 2-M25×1.5空塞堵头 杆式安装型: 塑制 1-M25×1.5, 电缆外径: Φ9-17mm	Intended use: Can be used in zone 1 and zone 2 Can be used in zone 21 and zone 22 Ambient temperature use: -40°C≤Ta≤+40°C (T5) -40°C≤Ta≤+55°C (T4) Degree of protection: IP66 (IP64 with breather CZ0527) Rated voltage: AC100 ~ 250V 50/60Hz, DC 100~250V Light source: LED Colour temperature: Standard 5000K, (Optional 3000K, 4000K, 6500K) High power factor / low harmonic: > 0.9, < 15% Dimming range: 10% - 100%, Lighting can be turn off Isolated 0-10V dimming Configurable output value (Iout / Vout) Applicable installation height: Wide beam: ≤ 3m, Narrow beam: 3 ~ 6m Terminals: L1, L2, L, N, PE, each terminal 2×1.5-10mm ² Electrical configuration: Standard explosion-proof limit switch (Optional explosion-proof fuse) Cable entry: Standard M25 (Optional M20) Standard type: Moulded plastic 1-M25×1.5 cable gland, outside diameter of cable: Φ9-17mm Moulded plastic 2-M25×1.5 stopping plugs Pole mounting: Moulded plastic 1-M25×1.5 cable gland, outside diameter of cable: Φ9-17mm
---	--

订购规格 Order specifications

图样 Illustration	配光 Light distribution	光源功率 Power of light source	光通量 Luminous flux	重量(kg) Weight	订购号 Order No.
	宽光型 Wide beam	1×LED 26W	3172 lm	5.5	CZ1865/211S-LED0026WWB5B-17-K□-B2+□
		2×LED 26W	6412 lm	8.9	CZ1866/211S-LED2026WWB5B-17-K□-B2+□
	窄光型 Narrow beam	1×LED 26W	2839 lm	5.5	CZ1865/211S-LED0026WNB5B-17-K□-B2+□
		2×LED 26W	5742 lm	8.9	CZ1866/211S-LED2026WNB5B-17-K□-B2+□
	宽光型 Wide beam	1×LED 26W	3172 lm	5.5	CZ1865/211P-LED0026WWB5B-17-K□-A2+□
		2×LED 26W	6412 lm	8.9	CZ1866/211P-LED2026WWB5B-17-K□-A2+□
	窄光型 Narrow beam	1×LED 26W	2839 lm	5.5	CZ1865/211P-LED0026WNB5B-17-K□-A2+□
		2×LED 26W	5742 lm	8.9	CZ1866/211P-LED2026WNB5B-17-K□-A2+□

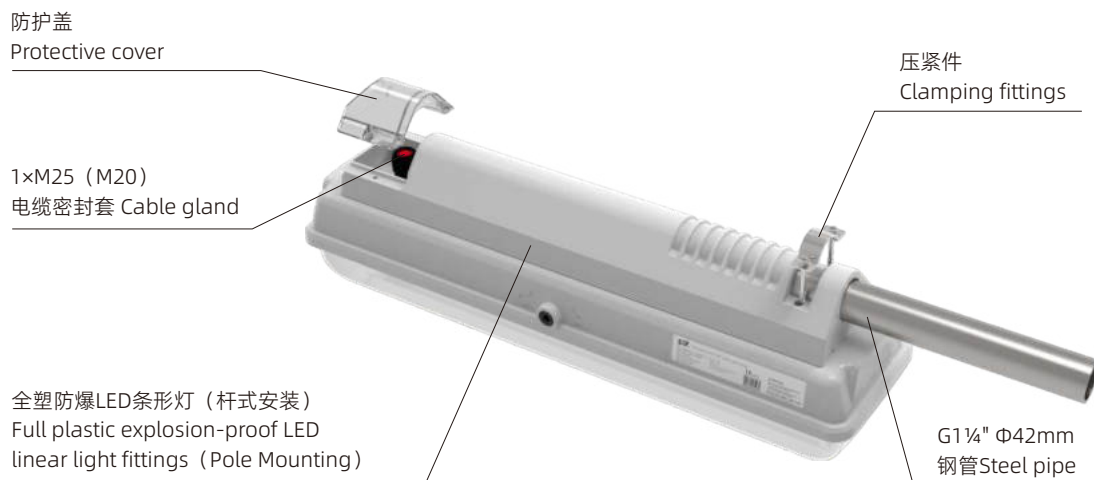


标准型灯具电缆引入装置编码 Code of cable entry for standard type

编码 Code	规格 Specifications	电缆直径 Cable diameter
B1	塑制 1 个 M20×1.5 电缆密封套，塑制 2 个 M20×1.5 空塞堵头 One moulded plastic M20×1.5 cable gland, two moulded plastic M20×1.5 stopping plugs	Φ6-13mm
C1	铜制 1 个 CZ0221/M20×1.5 金属电缆密封套，塑制 2 个 M20×1.5 空塞堵头 One brass CZ0221/M20×1.5 metal cable gland, two moulded plastic M20×1.5 stopping plugs	Φ6-13mm
D1	塑制 2 个 M20×1.5 电缆密封套，塑制 1 个 M20×1.5 空塞堵头 Two moulded plastic M20×1.5 cable glands, one moulded plastic M20×1.5 stopping plug	Φ6-13mm
E1	铜制 2 个 CZ0221/M20×1.5 金属电缆密封套，塑制 1 个 M20×1.5 空塞堵头 Two brass CZ0221/M20×1.5 metal cable glands, one moulded plastic M20×1.5 stopping plug	Φ6-13mm
H1	铜制 1 个 CZ0226/M20×1.5(G02) 增安型金属电缆密封套，塑制 2 个 M20×1.5 空塞堵头 One brass CZ0226/M20×1.5(G02) increased safety metal cable gland, two moulded plastic M20×1.5 stopping plugs	Φ8-13.5mm
I1	铜制 2 个 CZ0226/M20×1.5(G02) 增安型金属电缆密封套，塑制 1 个 M20×1.5 空塞堵头 Two brass CZ0226/M20×1.5(G02) increased safety metal cable glands, one moulded plastic M20×1.5 stopping plug	Φ8-13.5mm
B2	塑制 1 个 M25×1.5 电缆密封套，塑制 2 个 M25×1.5 空塞堵头 One moulded plastic M25×1.5 cable gland, two moulded plastic M25×1.5 stopping plugs	Φ9-17mm
C2	铜制 1 个 CZ0221/M25×1.5 金属电缆密封套，塑制 2 个 M25×1.5 空塞堵头 One brass CZ0221/M25×1.5 metal cable gland, two moulded plastic M25×1.5 stopping plugs	Φ9-17mm
D2	塑制 2 个 M25×1.5 电缆密封套，塑制 1 个 M25×1.5 空塞堵头 Two moulded plastic M25×1.5 cable glands, one moulded plastic M25×1.5 stopping plug	Φ9-17mm
E2	铜制 2 个 CZ0221/M25×1.5 金属电缆密封套，塑制 1 个 M25×1.5 空塞堵头 Two brass CZ0221/M25×1.5 metal cable glands, one moulded plastic M25×1.5 stopping plug	Φ9-17mm
H2	铜制 1 个 CZ0226/M25×1.5(G02) 增安型金属电缆密封套，塑制 2 个 M25×1.5 空塞堵头 One brass CZ0226/M25×1.5(G02) increased safety metal cable gland, two moulded plastic M25×1.5 stopping plugs	Φ11.5-16mm
I2	铜制 2 个 CZ0226/M25×1.5(G02) 增安型金属电缆密封套，塑制 1 个 M25×1.5 空塞堵头 Two brass CZ0226/M25×1.5(G02) increased safety metal cable glands, one moulded plastic M25×1.5 stopping plug	Φ11.5-16mm

杆式安装型灯具电缆引入装置编码 Code of cable entry for pole mounting type

编码 Code	规格 Specifications	电缆直径 Cable diameter
A1	塑制 1 个 M20×1.5 电缆密封套 One moulded plastic M20×1.5 cable gland	Φ6-13mm
A2	塑制 1 个 M25×1.5 电缆密封套 One moulded plastic M25×1.5 cable gland	Φ9-17mm

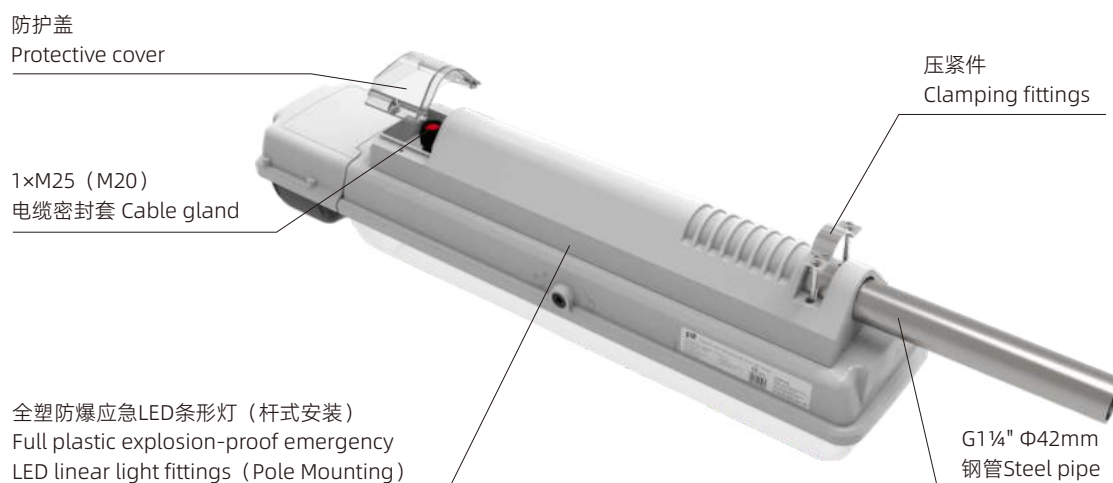
全塑防爆LED条形灯杆式安装示意图 Diagram of pole mounting


标准型灯具电缆引入装置编码 Code of cable entry for standard type

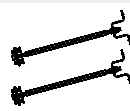
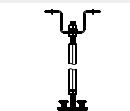
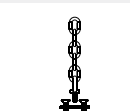
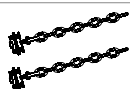
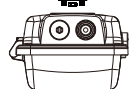
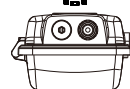
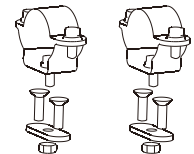
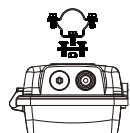

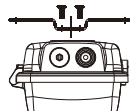
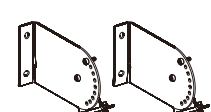
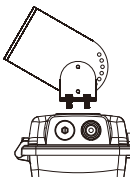
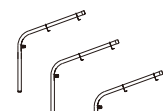
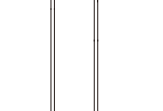
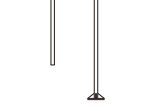
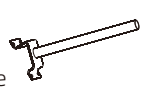
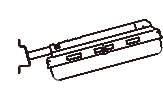

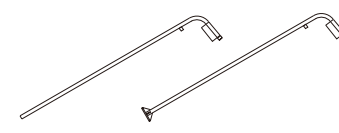
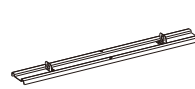
编码 Code	规格 Specifications	电缆直径 Cable diameter
B1	塑制 1 个 M20×1.5 电缆密封套，塑制 2 个 M20×1.5 空塞堵头 One moulded plastic M20×1.5 cable gland, two moulded plastic M20×1.5 stopping plugs	Φ6-13mm
C1	铜制 1 个 CZ0221/M20×1.5 金属电缆密封套，塑制 2 个 M20×1.5 空塞堵头 One brass CZ0221/M20×1.5 metal cable gland, two moulded plastic M20×1.5 stopping plugs	Φ6-13mm
D1	塑制 2 个 M20×1.5 电缆密封套，塑制 1 个 M20×1.5 空塞堵头 Two moulded plastic M20×1.5 cable glands, one moulded plastic M20×1.5 stopping plug	Φ6-13mm
E1	铜制 2 个 CZ0221/M20×1.5 金属电缆密封套，塑制 1 个 M20×1.5 空塞堵头 Two brass CZ0221/M20×1.5 metal cable glands, one moulded plastic M20×1.5 stopping plug	Φ6-13mm
H1	铜制 1 个 CZ0226/M20×1.5(G02) 增安型金属电缆密封套，塑制 2 个 M20×1.5 空塞堵头 One brass CZ0226/M20×1.5(G02) increased safety metal cable gland, two moulded plastic M20×1.5 stopping plugs	Φ8-13.5mm
I1	铜制 2 个 CZ0226/M20×1.5(G02) 增安型金属电缆密封套，塑制 1 个 M20×1.5 空塞堵头 Two brass CZ0226/M20×1.5(G02) increased safety metal cable glands, one moulded plastic M20×1.5 stopping plug	Φ8-13.5mm
B2	塑制 1 个 M25×1.5 电缆密封套，塑制 2 个 M25×1.5 空塞堵头 One moulded plastic M25×1.5 cable gland, two moulded plastic M25×1.5 stopping plugs	Φ9-17mm
C2	铜制 1 个 CZ0221/M25×1.5 金属电缆密封套，塑制 2 个 M25×1.5 空塞堵头 One brass CZ0221/M25×1.5 metal cable gland, two moulded plastic M25×1.5 stopping plugs	Φ9-17mm
D2	塑制 2 个 M25×1.5 电缆密封套，塑制 1 个 M25×1.5 空塞堵头 Two moulded plastic M25×1.5 cable glands, one moulded plastic M25×1.5 stopping plug	Φ9-17mm
E2	铜制 2 个 CZ0221/M25×1.5 金属电缆密封套，塑制 1 个 M25×1.5 空塞堵头 Two brass CZ0221/M25×1.5 metal cable glands, one moulded plastic M25×1.5 stopping plug	Φ9-17mm
H2	铜制 1 个 CZ0226/M25×1.5(G02) 增安型金属电缆密封套，塑制 2 个 M25×1.5 空塞堵头 One brass CZ0226/M25×1.5(G02) increased safety metal cable gland, two moulded plastic M25×1.5 stopping plugs	Φ11.5-16mm
I2	铜制 2 个 CZ0226/M25×1.5(G02) 增安型金属电缆密封套，塑制 1 个 M25×1.5 空塞堵头 Two brass CZ0226/M25×1.5(G02) increased safety metal cable glands, one moulded plastic M25×1.5 stopping plug	Φ11.5-16mm

杆式安装型灯具电缆引入装置编码 Code of cable entry for pole mounting type

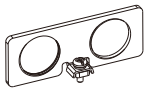
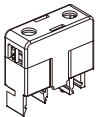


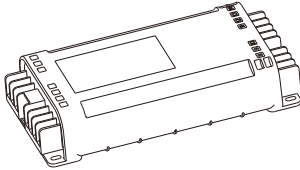
编码 Code	规格 Specifications	电缆直径 Cable diameter
A1	塑制 1 个 M20×1.5 电缆密封套 One moulded plastic M20×1.5 cable gland	Φ6-13mm
A2	塑制 1 个 M25×1.5 电缆密封套 One moulded plastic M25×1.5 cable gland	Φ9-17mm

全塑防爆应急LED条形灯杆式安装示意图 Diagram of pole mounting


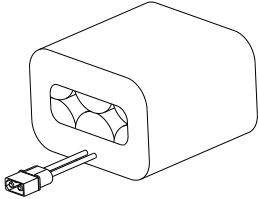
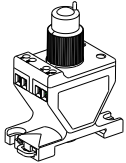
安装附件 Accessories of mounting

图样 Illustration	描述 Descriptions		单位 Unit	订购号 Order No.
吊杆式附件 Accessories for pendant type 			套 Set	D622
吊链式附件 Accessories for chain type 			套 Set	D623
夹管附件M8螺钉安装 Accessories for clamp type M8 bolt mounting 		G1 ¼"Φ42mm 不锈钢 Stainless steel	套 Set	J200/304
		G1 ½"Φ48mm 不锈钢 Stainless steel	套 Set	J300/304
		G2"Φ60mm 不锈钢 Stainless steel	套 Set	J400/304
吸顶式支架 Support for ceiling type 		不锈钢 Stainless steel	套 Set	D621/304
可调安装支架 Adjustable mounting bracket 			套 Set	D8738
壁式灯杆 Lamp pole of wall type		用于CZ1865 LED条形灯 Used for CZ1865 LED linear light fittings	套 Set	D8709/1A
		用于CZ1866 LED条形灯 Used for CZ1866 LED linear light fittings	套 Set	D8709/2A
护栏式灯杆 Lamp pole of fence type		用于CZ1865 LED条形灯 Used for CZ1865 LED linear light fittings	套 Set	D8710/1A
		用于CZ1866 LED条形灯 Used for CZ1866 LED linear light fittings	套 Set	D8710/2A
法兰式灯杆 Lamp pole of flange type		用于CZ1865 LED条形灯 Used for CZ1865 LED linear light fittings	套 Set	D8711/1A
		用于CZ1866 LED条形灯 Used for CZ1866 LED linear light fittings	套 Set	D8711/2A
杆式墙壁安装支架 Wall mounting bracket of pole type 		用于杆式安装条形灯 Use for pole mounting linear light fittings	套 Set	D8739
护栏式灯杆 Lamp pole of fence type		用于杆式安装条形灯 Use for pole mounting linear light fittings	套 Set	D8740
法兰式灯杆 Lamp pole of flange type		用于杆式安装条形灯 Use for pole mounting linear light fittings	套 Set	D8741
护栏式灯杆 Lamp pole of fence type			套 Set	D8705
法兰式灯杆 Lamp pole of flange type			套 Set	D8706
安装支架 Mounting bracket		用于CZ1865 LED 条形灯 Used for CZ1865 LED linear light fittings	套 Set	D8742/1
		用于CZ1866 LED 条形灯 Used for CZ1866 LED linear light fittings	套 Set	D8742/2

备件 Spare parts

图样 Illustration	描述 Descriptions	单位 Unit	订购号 Order No.
接地螺母 Earthing nut 	金属接地螺母 2-M20×1.5 Metal earthing nut 2-M20×1.5	套 Set	D8714/2-M20
	金属接地螺母 2-M25×1.5 Metal earthing nut 2-M25×1.5	套 Set	D8714/2-M25
防爆熔断器模块 Explosion-proof fuse module 	防爆型式 Type of protection Ⅱ 2G Ex e mb II C Gb	0.8A 只 Piece	CZ0804 / T0.8A
		1.25A 只 Piece	CZ0804 / T1.25A
		6.3A 只 Piece	CZ0804 / T6.3A
防爆行程开关模块 Explosion-proof limit switch module 	防爆型式 Type of protection Ⅱ 2G Ex db eb IIC Gb 触点二常闭 (2NC) Contact: 2NC	只 Piece	CZ0207-1
增安型呼吸、排流阀 Increased safety breathing, drainage valve 	防爆型式 Type of protection Ⅱ 2GD Ex eb IIC Gb Ex tb IIIC Db	只 Piece	CZ0527 2515 e001
带导线端子板 Terminal board with cable 	3P 端子, 导线 3×2.5mm ² , max16A, L1+N+PE 3P terminal, Conductor 3×2.5mm ²	套 Set	305/1A
	4P 端子, 导线 4×2.5mm ² , max16A, L1+L2+N+PE 4P terminal, Conductor 4×2.5mm ²	套 Set	305/3A
防爆 LED 光源模块 Explosion-proof LED light source module 	Ⅱ 2G Ex eb mb IIC Gb 功率 Power: Max30W / 4240 lm / 5000K 宽光型 (发光角度110°) Wide beam (Luminous angle 110°)	只 Piece	CZ1618/11B-LED30WWB5B
	Ⅱ 2G Ex eb mb IIC Gb 功率 Power: Max30W / 4240 lm / 5000K 窄光型 (发光角度55°) Narrow beam (Luminous angle 55°)	只 Piece	CZ1618/11B-LED30WNB5B
防爆电源可调光模块 (0-10V) Explosion-proof power supply module with lighting dimming (0-10V) 	防爆型式 Type of protection Ⅱ 2G Ex eb q IIC Gb 功率: 最大30W, 用于 1×LED26W 条形灯 Power: Max30W, Used for 1×LED26W linear light fittings AC/DC 100~250V 50/60Hz	只 Piece	CZ1618/57B-LED30W
	防爆型式 Type of protection Ⅱ 2G Ex eb q IIC Gb 功率: 最大60W, 用于 2×LED26W 条形灯 Power: Max60W, Used for 2×LED26W linear light fittings AC/DC 100~250V 50/60Hz	只 Piece	CZ1618/57B-LED60W
防爆应急照明电源模块 Explosion-proof emergency lighting power module 	防爆型式 Type of protection Ⅱ 2G Ex eb q IIC Gb 正常功率: 最大30W, 应急功率: 1×10W, 用于 1×26W 应急 LED 条形灯 Normal power: Max 30W, Emergency power: 1×10W, Used for 1×26W emergency LED linear light fittings AC/DC 100~250V 50/60Hz	只 Piece	CZ1618/58B-LED30W
	防爆型式 Type of protection Ⅱ 2G Ex eb q IIC Gb 正常功率: 最大60W, 应急功率: 2×10W, 用于 2×26W 应急 LED 条形灯 Normal power: Max 60W, Emergency power: 2×10W, Used for 2×26W emergency LED linear light fittings AC/DC 100~250V 50/60Hz	只 Piece	CZ1618/58B-LED60W

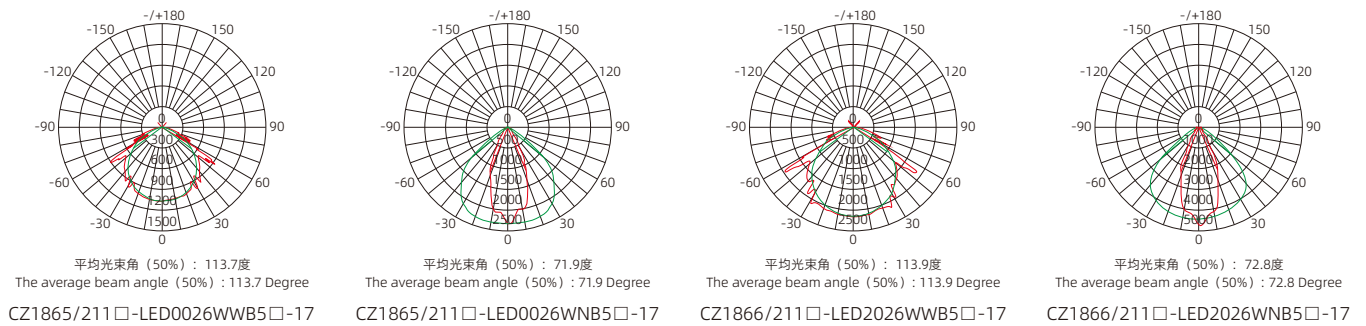
备件 Spare parts

图样 Illustration	描述 Descriptions	单位 Unit	订购号 Order No.
 防爆电池模块 Explosion-proof battery module	规格Specifications: 8.5Ah/7.2V	套 Set	CZ0819/8.5Ah 7.2V
 防爆信号灯带按钮模块 Explosion-proof signal lamp button module	防爆型式 Type of protection $\text{Ex II 2G Ex db eb IIC Gb}$ 信号灯: DC2.0V (红、黄)、DC3.0V (绿) 按钮开关: DC 30V 5A Signal lamp: DC 2.0V (red, yellow), DC3.0V (green) Push button switch: DC 30V 5A	只 Piece	CZ0212-6405L

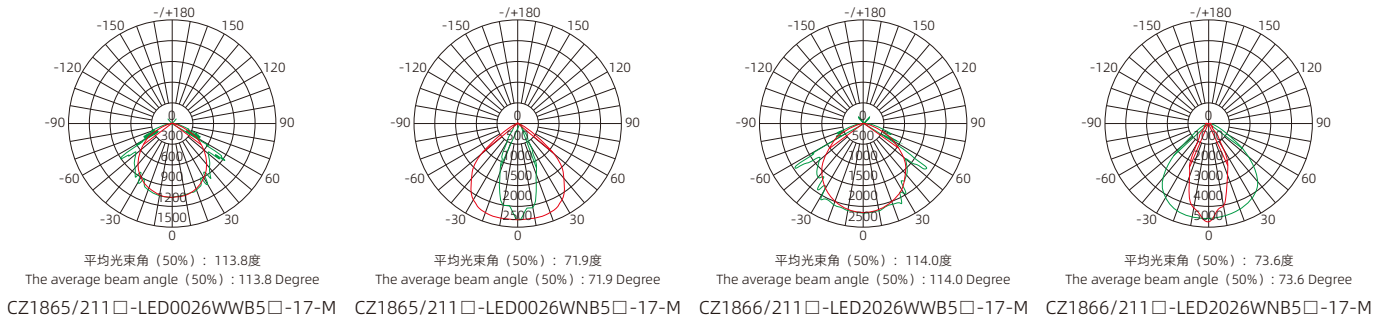
配光曲线 Luminous intensity distribution curve — C0/180 — C90/270

光强单位 luminous intensity unit: cd

CZ1865、CZ1866 全塑防爆LED条形灯 Full plastic explosion-proof LED linear light fittings

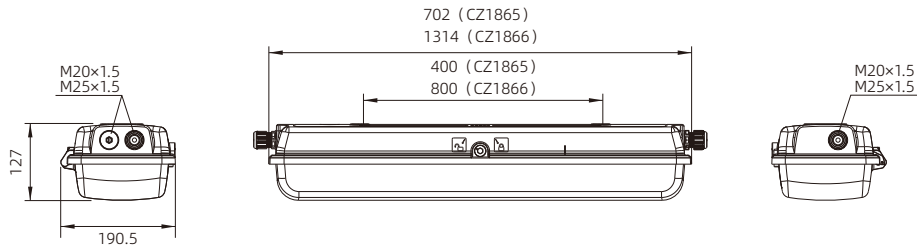


CZ1865、CZ1866 全塑防爆应急LED条形灯 Full plastic explosion-proof emergency LED linear light fittings

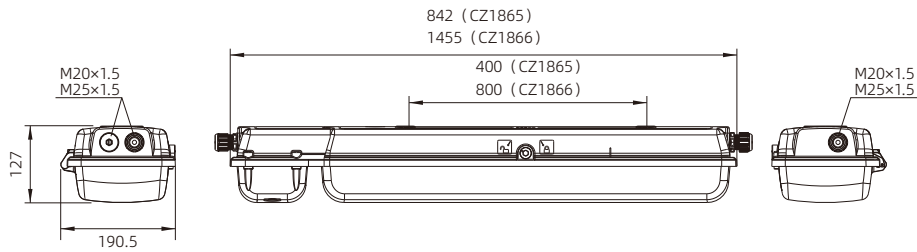


安装形式和外形尺寸 Mounting types and outline dimensions

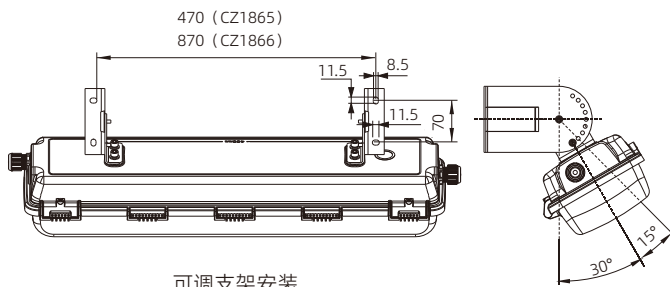
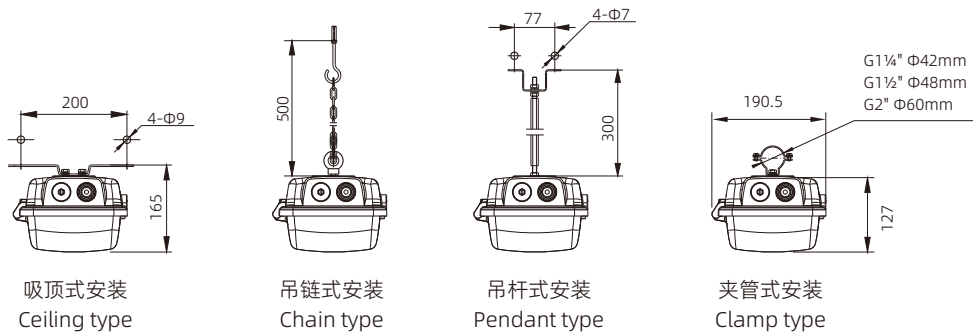
单位 Unit: mm



全塑防爆LED条形灯
 Full plastic explosion-proof LED linear light fittings



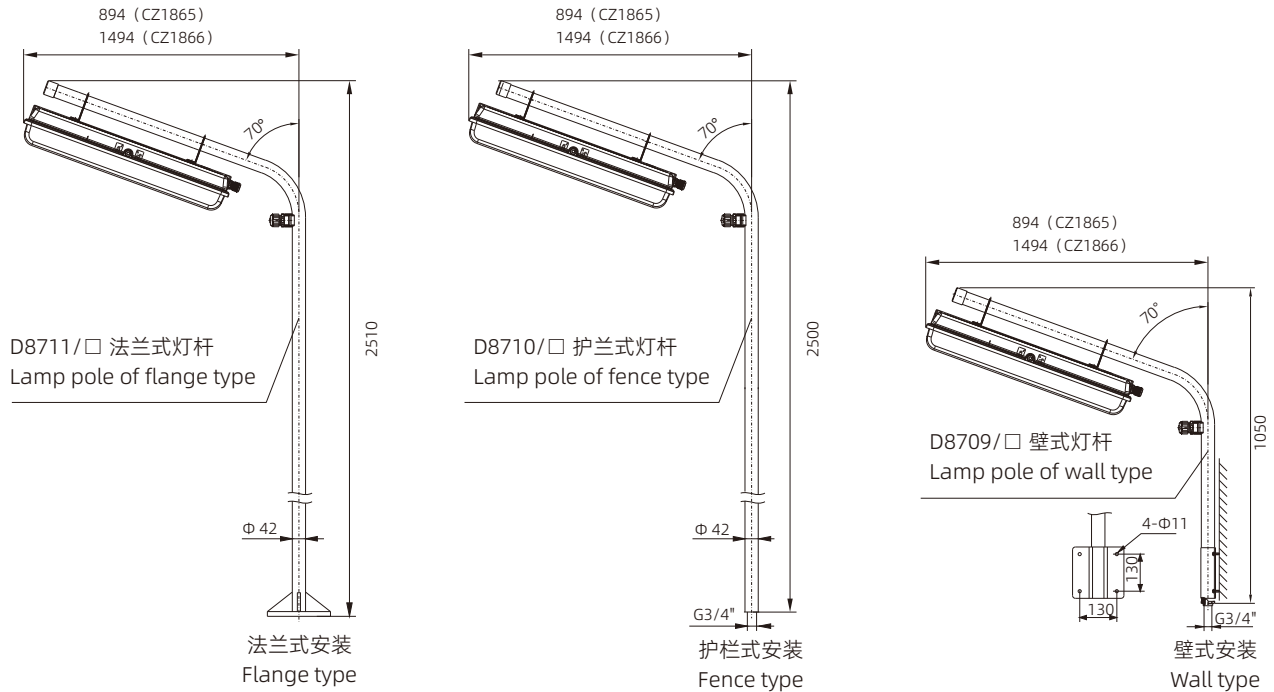
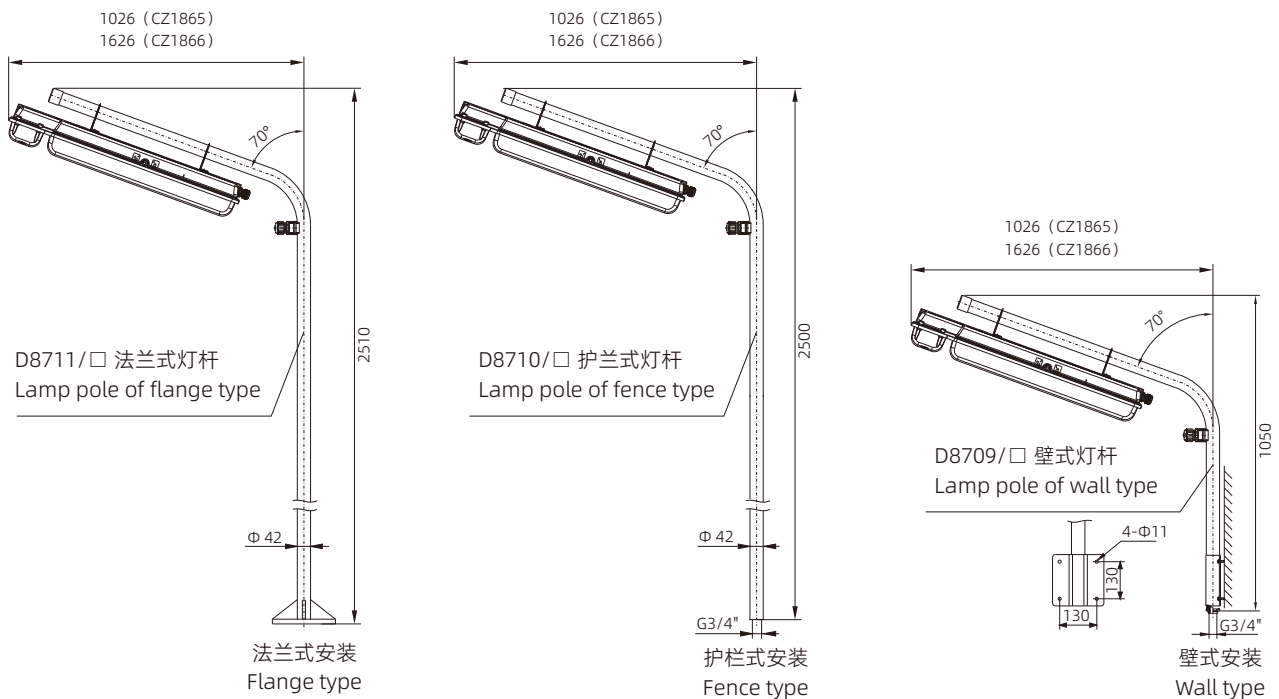
全塑防爆应急LED条形灯
 Full plastic explosion-proof emergency LED linear light fittings



可调支架安装
 Adjustable mounting bracket

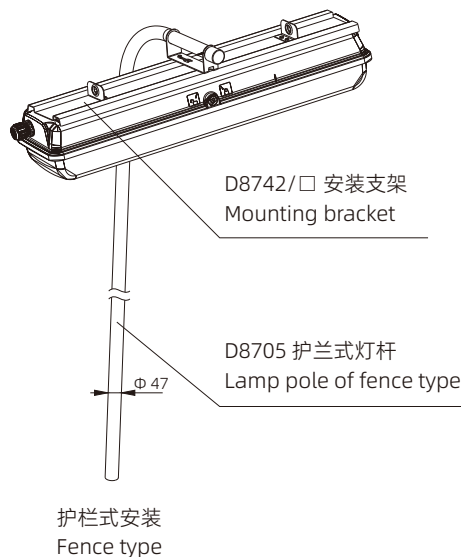
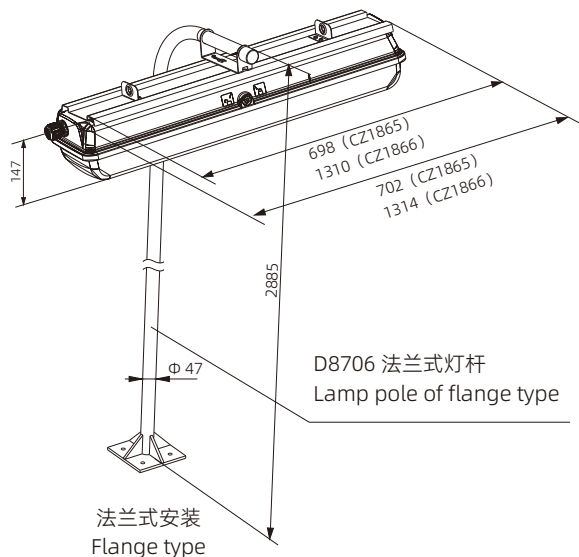
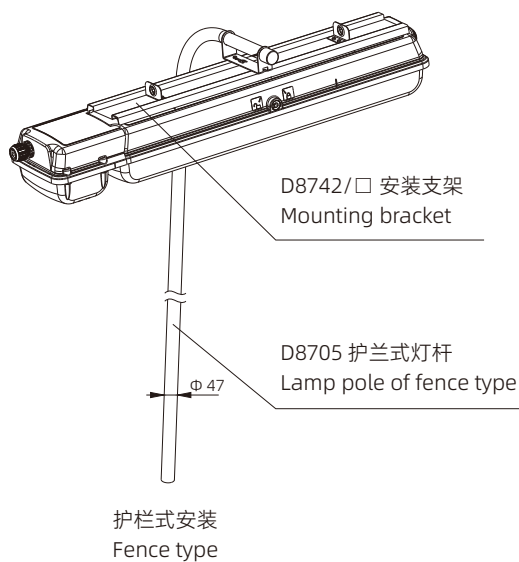
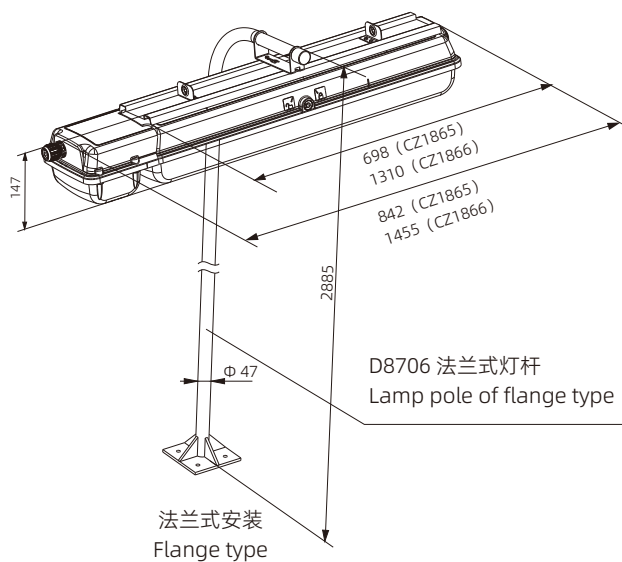
安装形式和外形尺寸 Mounting types and outline dimensions

单位 Unit: mm

 全塑防爆LED条形灯
 Full plastic explosion-proof LED linear light fittings

 全塑防爆应急LED条形灯
 Full plastic explosion-proof emergency LED linear light fittings


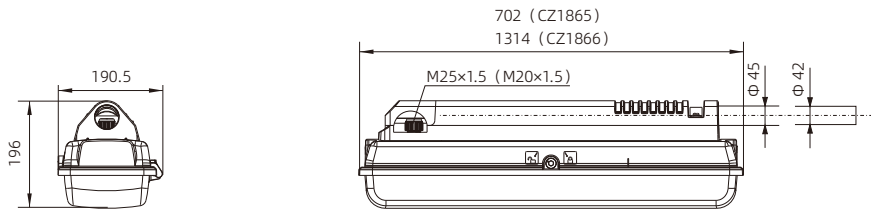
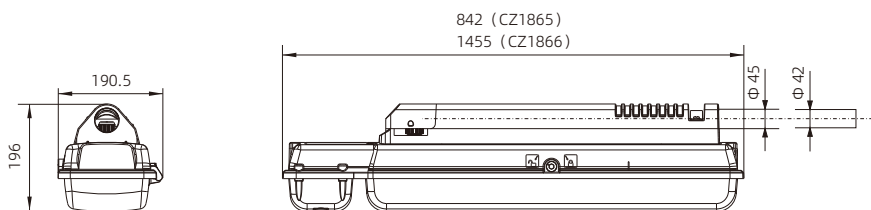
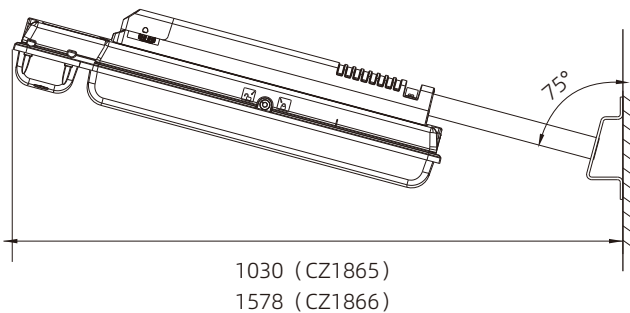
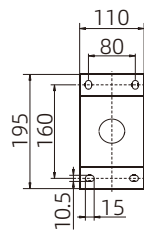
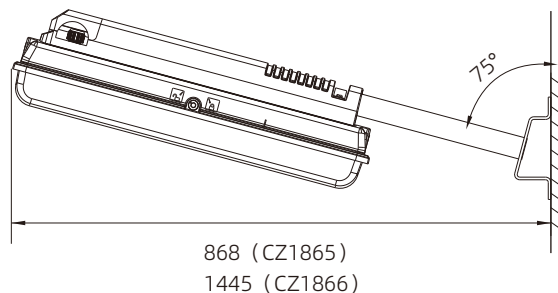
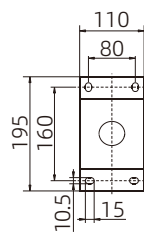
安装形式和外形尺寸 Mounting types and outline dimensions

单位 Unit: mm

 全塑防爆LED条形灯
 Full plastic explosion-proof LED linear light fittings

 全塑防爆应急LED条形灯
 Full plastic explosion-proof emergency LED linear light fittings


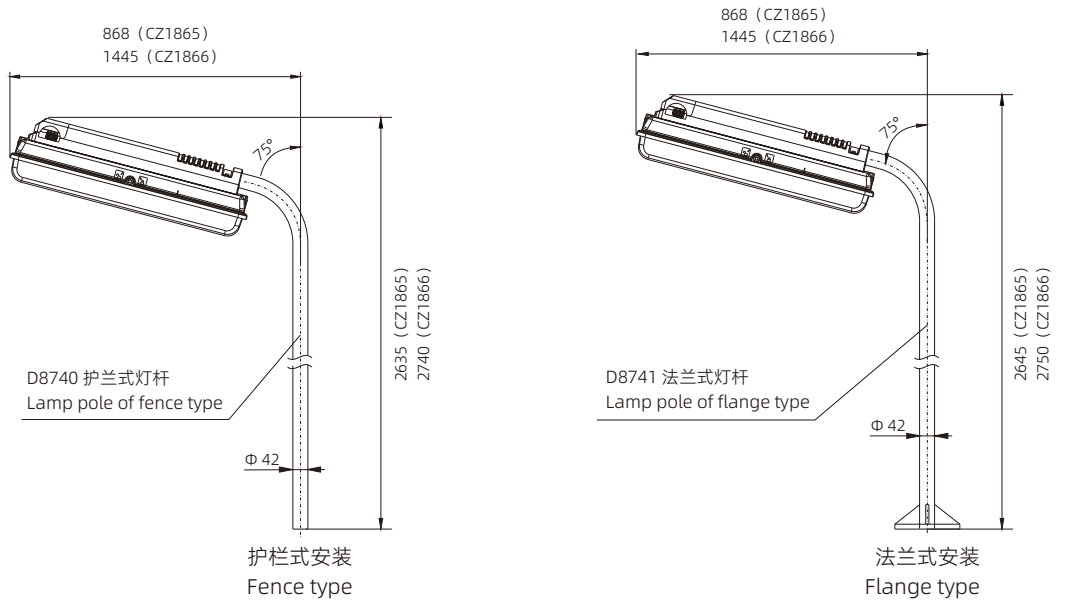
安装形式和外形尺寸 Mounting types and outline dimensions

单位 Unit: mm


 CZ186□/2□1P 全塑防爆LED条形灯（杆式安装）
 Full plastic explosion-proof LED linear light fittings (Pole Mounting)

 CZ186□/2□1P 全塑防爆应急LED条形灯（杆式安装）
 Full plastic explosion-proof emergency LED linear light fittings (Pole Mounting)

 D8739 杆式墙壁安装支架
 Wall mounting bracket of pole type

安装形式和外形尺寸 Mounting types and outline dimensions

单位 Unit: mm

 全塑防爆LED条形灯
 Full plastic explosion-proof LED linear light fittings

 全塑防爆应急LED条形灯
 Full plastic explosion-proof emergency LED linear light fittings
