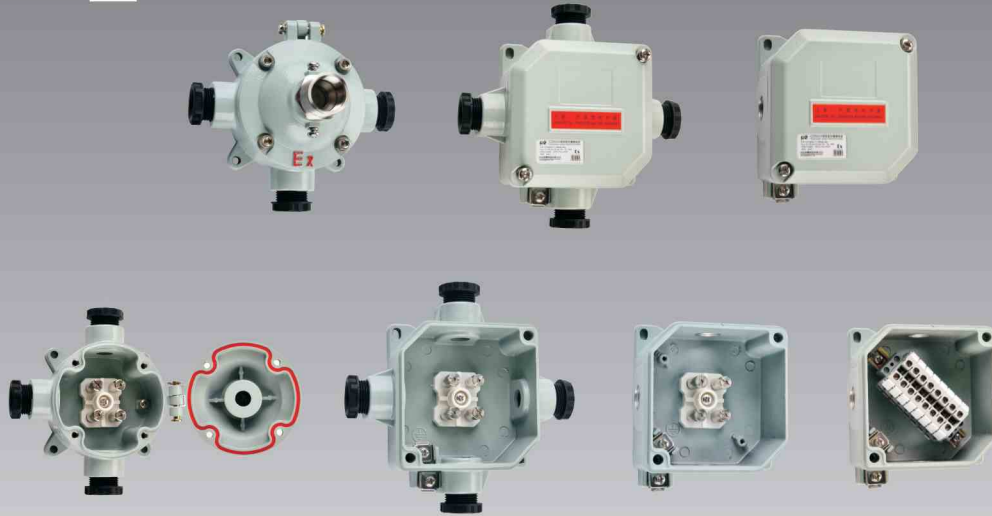


CZ1120□


B
描述:

防爆接线盒其外壳为压铸铝合金外壳，表面进行喷涂纯环氧树脂粉末，外露紧固件为不锈钢，可满足化学、石化和海上工业的防腐要求。

防爆接线盒分为三种形式，有吊灯式、固定式和模块式。吊灯式和固定式内装有Ex e柱式螺旋端子（U证），底座设计有固定的电缆入口，每个入口均装有橡胶密封垫圈和压紧螺母；模块式内装有Ex e柱式螺旋端子或Ex e接线端子（U证），底部电缆入口可根据要求开孔1~4个，开孔规格分有M20、M25、M32，可选用塑制或金属电缆密封套，便于接线和安装。

- 防护等级IP66
- 钢模压铸成型
- 表面喷涂纯环氧树脂
- 外露紧固件不锈钢

Descriptions:

The enclosure of explosion-proof terminal boxes is made of die-casting aluminum alloy and pure epoxy resin powder coated. The exposed fasteners are made of stainless steel. It can meet the requirements to corrosion protection for chemical, petrochemical and marine industries.

Explosion-proof terminal boxes have three versions, there are pendant lighting type, fixed type and modular type. Pendant and fixed versions have Ex e pillar terminals (U certification) inside, and have fixed cable entries on the base. Each cable entry has rubber washer and compression nut. Modular versions inside have Ex e pillar terminals or Ex e terminal. Bottom cable entries can have one to four as request, and the sizes can be M20, M25 or M32. Either plastic or metal cable glands can be used for easy wiring and installation.

- Degree of protection IP66.
- Die-casting with steel mould.
- Epoxy resin powder coated.
- The exposed fasteners are made of stainless steel.

0区，1区和2区
Zone 0, Zone 1 and zone 2
20区，21区和22区
Zone 20, Zone 21 and zone 22

主要数据 Main technical data:

| 认证 Certification | 防爆标志 Ex mark | 符合标准 Meet the standard |
|----------------------------------|--|------------------------|
| China: CNEEx 18.3444X | Ex e II C T6/T5 Gb Ex tD A21 IP66 T80 °C Ex ia II C T6/T5 Ga Ex tD A20 T80 °C | GB3836 |
| IECEX: 认证中 Under approval | Ex eb II C T6/T5 Gb Ex tb III C T80 °C Db Ex ia II C T6/T5 Ga Ex ta III C T80 °C Da | IEC60079 |
| ATEX: 认证中 Under approval | ⊕ II 2GD Ex eb II C T6/T5 Gb Ex tb III C T80 °C Db ⊕ II 1GD Ex ia II C T6/T5 Ga Ex ta III C T80 °C Da | EN60079 |

适用范围: 用于 0 区, 用于 1 区和 2 区
用于 20 区, 用于 21 区和 22 区

防护等级: IP66

使用环境温度: $-55^{\circ}\text{C} \leq \text{Ta} \leq +40^{\circ}\text{C}/+55^{\circ}\text{C}$

额定电压: AC 690V

端子型式: 柱式端子 ($0.5 \sim 6\text{mm}^2$) 最大 $6\text{mm}^2/35\text{A}$
笼式端子、小型端子 ($1.5\text{mm}^2 \sim 6\text{mm}^2$)

接地端子: $2 \times 4\text{mm}^2$

材 料: 铝合金外壳表面喷塑

Intended use: Can be used in zone 0, zone 1 and zone 2
Can be used in zone 20, zone 21 and zone 22

Degree of protection: IP66

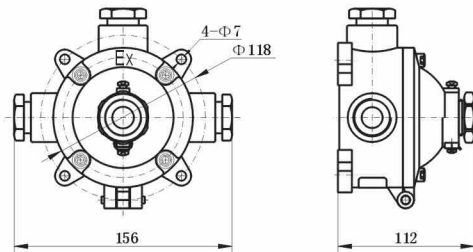
Ambient temperature: $-55^{\circ}\text{C} \leq \text{Ta} \leq +40^{\circ}\text{C}/+55^{\circ}\text{C}$

Rated voltage: AC 690V

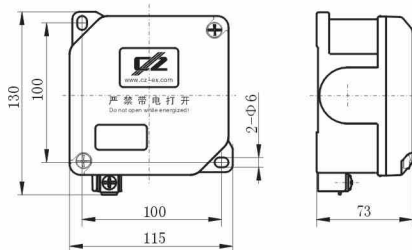
Type of terminal: Pillar type terminal ($0.5 \sim 6\text{mm}^2$) max $6\text{mm}^2/35\text{A}$
cage type terminal, miniature terminal,
($1.5\text{mm}^2 \sim 6\text{mm}^2$)

Earthing terminal: $2 \times 4\text{mm}^2$

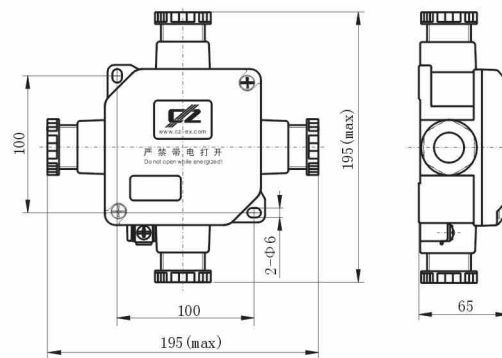
Material: plastic sprayed aluminum alloy enclosure

B
外形尺寸 Outline dimensions:


吊灯式接线盒
Pendant type lighting terminal box







模块式接线盒
Modular type terminal box



固定式接线盒
Fixed type terminal box

配柱子端子接线盒订购规格 Order specification of terminal boxes with pillar terminals:

| 图样 Illustration | 柱式端子数量 Quantity of pillar type terminal | 方案 Method | 电缆入口/电缆外径 Cable entries / cable outside diameter | 重量 Weight (kg) | 订购号 Order No. |
|---|--|---|---|-------------------|-----------------------------|
|  | 4 |  三通吊 3 Entries hung type | G3/4" / Φ11 ~ Φ15mm | 0.795 | CZ1120e/51-4G034-A04 |
|  | 4 |  四通 4 Entries | G1/2" / Φ8 ~ Φ11mm | 0.719 | CZ1120e/61-4G012-A04 |
| | | | G3/4" / Φ11 ~ Φ15mm | 0.819 | CZ1120e/61-4G034-A04 |
| | | | G1" / Φ11 ~ Φ19mm | 0.950 | CZ1120e/61-4G100-A04 |

配柱子端子接线盒订购规格 Order specification of terminal boxes with pillar terminals:

| 图样 Illustration | 柱式端子数量 Quantity of pillar type terminal | 进线口 Inlet | | 重量 Weight (kg) | 订购号 Order No. | |
|---|---|---|-----------|-------------------|-----------------------------|-----------------------------|
| | | 方案 Method | 数量 Number | | | 螺纹 Thread |
|  | 4 |  | 1 | M20×1.5 | 0.880 | CZ1120□/71-1M020-A04 |
| | | | 1 | M25×1.5 | 0.780 | CZ1120□/71-1M025-A04 |
| | | | 1 | M32×1.5 | 0.680 | CZ1120□/71-1M032-A04 |
| | 4 |  | 2 | M20×1.5 | 0.750 | CZ1120□/71-2M020-A04 |
| | | | 2 | M25×1.5 | 0.650 | CZ1120□/71-2M025-A04 |
| | | | 2 | M32×1.5 | 0.550 | CZ1120□/71-2M032-A04 |
| | 4 |  | 3 | M20×1.5 | 0.688 | CZ1120□/71-3M020-A04 |
| | | | 3 | M25×1.5 | 0.600 | CZ1120□/71-3M025-A04 |
| | | | 3 | M32×1.5 | 0.500 | CZ1120□/71-3M032-A04 |
| 4 |  | 4 | M20×1.5 | 0.650 | CZ1120□/71-4M020-A04 | |
| | | 4 | M25×1.5 | 0.550 | CZ1120□/71-4M025-A04 | |
| | | 4 | M32×1.5 | 0.450 | CZ1120□/71-4M032-A04 | |

e-增安型 Ex e } 防爆型式
 i-本安型 Ex i } Type of explosion-proof

注: 电缆密封套和空塞堵头另行订购, 相关技术参数详见 B/50~B/67 页

Note: cable glands and stopping plugs shall be ordered additionally. Pls go to page B/50~B/67 for the technical details.

配接线端子接线盒订购规格 Order specification of terminal boxes with terminal blocks:

| 图样 Illustration | 进线口 Inlet | | | 重量 Weight (kg) | 订购号 Order No. |
|---|---|-----------|-----------|----------------------|----------------------------|
| | 方案 Method | 数量 Number | 螺纹 Thread | | |
|  |  | 1 | M20×1.5 | 0.800 | CZ1120□/71-1M020-□□ |
| | | 1 | M25×1.5 | 0.750 | CZ1120□/71-1M025-□□ |
| | | 1 | M32×1.5 | 0.700 | CZ1120□/71-1M032-□□ |
| |  | 2 | M20×1.5 | 0.740 | CZ1120□/71-2M020-□□ |
| | | 2 | M25×1.5 | 0.700 | CZ1120□/71-2M025-□□ |
| | | 2 | M32×1.5 | 0.650 | CZ1120□/71-2M032-□□ |
| |  | 3 | M20×1.5 | 0.722 | CZ1120□/71-3M020-□□ |
| | | 3 | M25×1.5 | 0.680 | CZ1120□/71-3M025-□□ |
| | | 3 | M32×1.5 | 0.630 | CZ1120□/71-3M032-□□ |
| |  | 4 | M20×1.5 | 0.700 | CZ1120□/71-4M020-□□ |
| | | 4 | M25×1.5 | 0.660 | CZ1120□/71-4M025-□□ |
| | | 4 | M32×1.5 | 0.610 | CZ1120□/71-4M032-□□ |

e-增安型 Ex e } 防爆型式
 i-本安型 Ex i } Type of explosion-proof

| 端子型号 Type of terminal | 规格 Specifications | 订购编码 Order code | | 最大安装端子数量 Max. number of terminals |
|--------------------------------|----------------------|--------------------|------------|--------------------------------------|
| | | 灰色 Grey | 蓝色 Blue | |
| MSB 笼式端子 Cage type terminal | 2.5mm ² | B1 | BB1 | 15 |
| 小型端子 Miniature terminal | 2.5mm ² | C2 | CB2 | 15 |
| | 4mm ² | C4 | CB4 | 12 |
| | 6mm ² | C6 | CB6 | 10 |

注：电缆密封套和空塞堵头另行订购，相关技术参数详见 B/50~B/67 页

Note: cable glands and stopping plugs shall be ordered additionally. Pls go to page B/50~B/67 for the technical details.

CZ1120 □


B
描述:

防爆接线箱其外壳为铝合金外壳，表面进行喷涂纯环氧树脂粉末，外露紧固件为不锈钢，可满足化学、石化和海上工业的防腐要求，作为在线路中连接各种电器设备及仪器仪表的分线、接线之用。

接线箱现有八种规格：内装 Ex e 接线端子（U证），将引入导线固定连接，规格有 1.5 ~ 95mm²。

不同型号规格的电缆密封套满足不同的电缆引入：未使用的电缆入口可用空塞堵头密封，为今后更加便捷的对设备进行改型与扩展。

- 钢模压铸成型
- 表面喷涂纯环氧树脂
- 外露紧固件不锈钢
- 防护等级 IP66

Descriptions:

Enclosures of explosion-proof terminal boxes are made of die-casting aluminum alloy, the surface of which are sprayed epoxy resin powder. The exposed fasteners are made of stainless steel. They can satisfy the requirement of anti-corrosion in chemical, petrochemical and sea industries and are used for dividing and connecting wires for various electrical apparatus and instruments in the circuits.

Terminal boxes have eight specifications. Built-in Ex e terminals (U certification) have specifications for 1.5~95mm² and connect and to fix the entry leads.

Different type and specification cable glands apply to different cable entries. The unused entries can be sealed with the stopping plugs for future expansion.

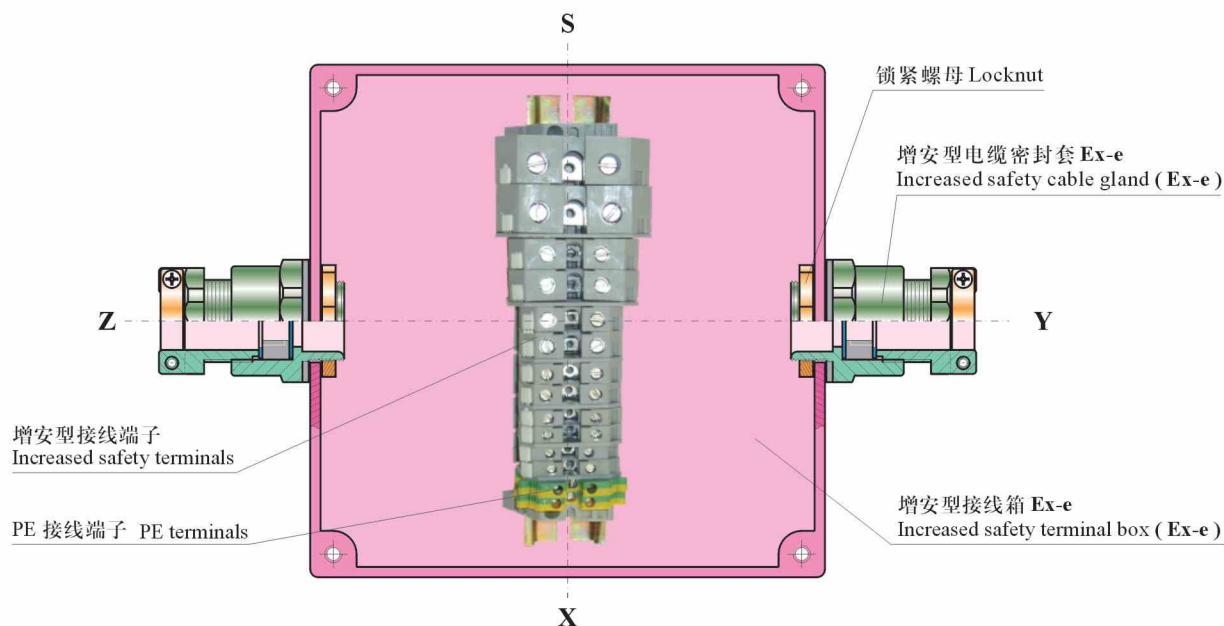
- Die-casting with steel molded.
- Pure epoxy resin powder coated.
- The exposed fasteners are made of stainless steel.
- Degree of protection IP66.


0区，1区和2区
Zone 0, Zone 1 and zone 2
20区，21区和22区
Zone 20, Zone 21 and zone 22

增安型接线箱的示意图 Increased safety terminal box diagram:

增安型接线箱 Ex-e 的电缆入口应选增安型电缆密封套 Ex-e，电缆密封套安装在接线箱壁上，由锁紧螺母拧紧固定，接线端子安在箱体中间或两侧，其外壳防护性能可达 IP66。

Increased safety terminal boxes (Ex-e) shall select increased safety cable glands (Ex-e), which are fitted on the wall of the boxes and secured by locknut. The terminals are fitted inside the boxes, The degree of protection of the enclosure is IP66.


UK (Ex e)通用型接线端子 UK (Ex e) Common terminal

| 图样 Illustration | 规格 Specification | 额定电压 Rated voltage | 刚性导线 Rigid conductor | 柔性导线 Flexible conductor | 订购号 Order No. | |
|---|---------------------|-----------------------|-------------------------|----------------------------|---------------|------------|
| | | | | | 灰色 Grey | 兰色 Blue |
|  导轨 Rail  35 | 1.5mm ² | 352V | 0.14-1.5mm ² | 0.14-1.5mm ² | UK/1.5N | UK/1.5N BU |
| | 2.5mm ² | 690V | 0.2-4mm ² | 0.2-2.5mm ² | UK/3N | UK/3N BU |
| | 4mm ² | 690V | 0.2-6mm ² | 0.2-4mm ² | UK/5N | UK/5N BU |
| | 6mm ² | 690V | 0.2-10mm ² | 0.2-6mm ² | UK/6N | UK/6N BU |
| | 10mm ² | 690V | 0.5-16mm ² | 0.5-10mm ² | UK/10N | UK/10N BU |
| | 16mm ² | 690V | 2.5-25mm ² | 4-16mm ² | UK/16N | UK/16N BU |
| | 35mm ² | 690V | 0.75-50mm ² | 0.75-35mm ² | UK/35N | UK/35N BU |
| | 50mm ² | 690V | 16-50mm ² | 25-50mm ² | UKH/50 | UKH/50 BU |
| | 95mm ² | 880V | 25-95mm ² | 35-95mm ² | UKH/95 | UKH/95 BU |
| | 150mm ² | 1100V | 35-150mm ² | 50-150mm ² | UKH/150 | UKH/150 BU |
| | 240mm ² | 1100V | 70-240mm ² | 70-240mm ² | UKH/240 | UKH/240 BU |

USLKG (Ex e)通用型接地端子 USLKG (Ex e) Common earthing terminal

| 图样 Illustration | 规格 Specification | 刚性导线 Rigid conductor | 柔性导线 Flexible conductor | 订购号 Order No. |
|---|---------------------|-------------------------|----------------------------|------------------|
|  导轨 Rail  35 | 1.5mm ² | 0.14-1.5mm ² | 0.14-1.5mm ² | USLKG1.5N |
| | 2.5mm ² | 0.2-4mm ² | 0.2-2.5mm ² | USLKG3N |
| | 4mm ² | 0.2-6mm ² | 0.2-4mm ² | USLKG5N |
| | 6mm ² | 0.2-10mm ² | 0.2-6mm ² | USLKG6N |
| | 10mm ² | 0.5-16mm ² | 0.5-10mm ² | USLKG10N |
| | 16mm ² | 2.5-25mm ² | 4-16mm ² | USLKG16N |
| | 35mm ² | 0.75-50mm ² | 0.75-35mm ² | USLKG35N |
| | 50mm ² | 16-50mm ² | 25-50mm ² | USLKGH50 |
| | 95mm ² | 25-95mm ² | 35-95mm ² | USLKGH95 |

电缆密封套的技术参数和编码详见 B/50~B/67 页。 See pages of B/50~B/67 for technical specifications and codes of cable gland.

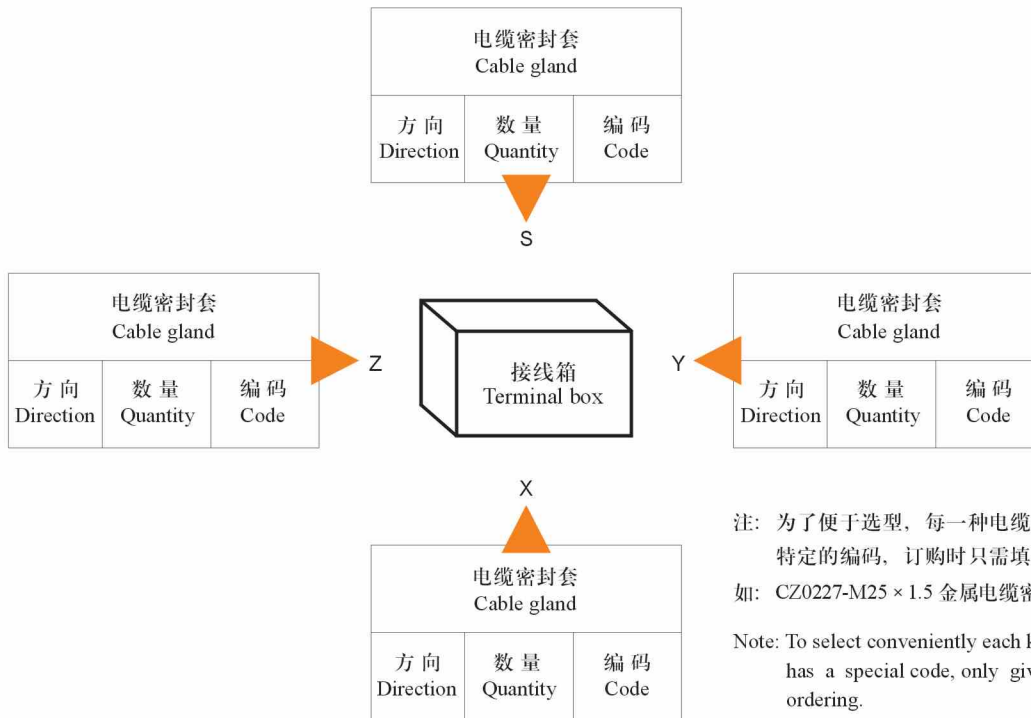
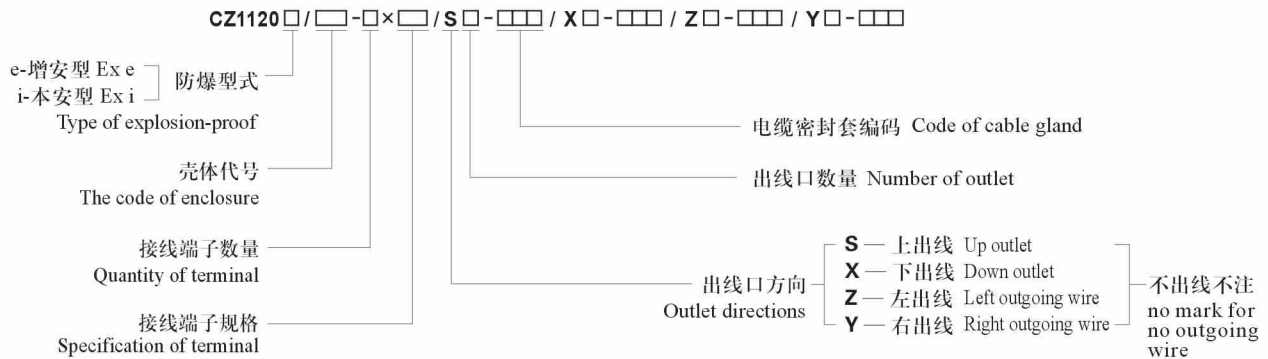
描述 Description:

根据用户要求选用不同规格的箱体，塑制或金属制电缆密封套、不同规格的接线端子。

Different boxes may be selected as user's requirements, such as moulded plastic or metal cable glands, different specifications terminals.

订购规格 Order specifications:

型号含义 Model implication:



注：为了便于选型，每一种电缆密封套都有一组特定的编码，订购时只需填写编码即可。
 如：CZ0227-M25 × 1.5 金属电缆密封套 = 编码 L02

Note: To select conveniently each kind of cable gland has a special code, only give the code when ordering.

Example: CZ0227-M25 × 1.5 metal cable gland = code L02

选型举例 Example of selection:

1 个接线箱型号为 CZ1120e/021 和接线端子为 $8 \times 4\text{mm}^2 + 2$ 个 $\text{PE} \times 4\text{mm}^2$ 端子
 电缆引入方向为 X $2 \times \text{M25}$ 塑制的电缆密封套 (型号为 CZ0220)

S $1 \times \text{M25}$ 塑制空塞堵头 (型号为 CZ0223)

型号为: CZ1120e/021 - $8 \times \text{UK} / 5\text{N}+2\text{PE} / \text{X}-2\text{A}03 / \text{S}-1\text{H}03$

A terminal box: type CZ1120e/021 terminals: $8 \times 4\text{mm}^2 + 2 \times 4\text{mm}^2$ PE
 Entry of cable X $2 \times \text{M25}$ moulded plastic cable gland (type: CZ0220)

S $1 \times \text{M25}$ moulded plastic stopping plug (type: CZ0223)

Type: CZ1120e/021 - $8 \times \text{UK} / 5\text{N}+2\text{PE} / \text{X}-2\text{A}03 / \text{S}-1\text{H}03$

主要数据 Main technical data:

| 认证 Certification | 防爆标志 Ex mark | 符合标准 Meet the standard |
|----------------------------------|--|------------------------|
| China: CNEEx 18.3444X | Ex e II C T6/T5/T4 Gb Ex tD A21 IP66 T80°C Ex ia II C T6/T5/T4 Ga Ex tD A20 T80°C | GB3836 |
| IECEX: 认证中 Under approval | Ex eb II C T6/T5/T4 Gb Ex tb III C T80°C Db Ex ia II C T6/T5/T4 Ga Ex ta III C T80°C Da | IEC60079 |
| ATEX: 认证中 Under approval | II 2GD Ex eb II C T6/T5/T4 Gb Ex tb III C T80°C Db II 1GD Ex ia II C T6/T5/T4 Ga Ex ta III C T80°C Da | EN60079 |

适用范围: 用于 0 区, 用于 1 区和 2 区
用于 20 区, 用于 21 区和 22 区

Intended use: Can be used in zone 0, zone 1 and zone 2
Can be used in zone 20, zone 21 and zone 22

防护等级: IP66

Degree of protection: IP66

使用环境温度: $-55^{\circ}\text{C} \leq \text{Ta} \leq +40^{\circ}\text{C}/+55^{\circ}\text{C}$

Ambient temperature: $-55^{\circ}\text{C} \leq \text{Ta} \leq +40^{\circ}\text{C}/+55^{\circ}\text{C}$

额定电压: 最大 AC 690V

Rated voltage: max AC 690V

额定电流: 最大 225A

Rated current: max 225A

材 料: 铝合金外壳表面喷塑

Material: aluminum alloy enclosure, powder coated

端子表 Table of terminals:

| 箱体规格 Box specification | 导轨 TS35×7.5 Mounting rail TS35×7.5 | UK 接线端子规格及数量 Specification and quantities of UK terminals | | | | | | 订购号 Order No. |
|---------------------------|---------------------------------------|--|------------------|------------------|-------------------|-------------------|-------------------|--|
| | | 2.5mm ² | 4mm ² | 6mm ² | 10mm ² | 16mm ² | 35mm ² | |
| | | 15 | 14 | 11 | 9 | 7 | 5 | CZ1120e/011 CZ1120i/011 |

CZ1120□/011 开孔表 Table of aperture:

| 箱体规格 Box specification | CZ0227 | 钻孔面 Side of aperture | | | | | | | |
|---------------------------|--------|-------------------------|-----|-----|-----|-----|-----|---|--|
| | | M20 | M25 | M32 | M40 | M50 | M63 | | |
| | | | S | 2 | 2 | 2 | 1 | 1 | |
| | | | Z | 2 | 2 | 2 | 1 | 1 | |
| | | | Y | 2 | 2 | 2 | 1 | 1 | |
| | | | X | 2 | 2 | 2 | 1 | 1 | |

端子表 Table of terminals:

| 箱体规格 Box specification | 导轨 TS35×7.5 Mounting rail TS35×7.5 | UK 接线端子规格及数量 Specification and quantities of UK terminals | | | | | | 订购号 Order No. |
|---------------------------|---------------------------------------|--|------------------|------------------|-------------------|-------------------|-------------------|--|
| | | 2.5mm ² | 4mm ² | 6mm ² | 10mm ² | 16mm ² | 35mm ² | |
| | | 25 | 23 | 18 | 15 | 13 | 8 | CZ1120e/021 CZ1120i/021 |

CZ1120□/021 开孔表 Table of aperture:

| 箱体规格 Box specification | CZ0227 | 钻孔面 Side of aperture | | | | | | | |
|---------------------------|--------|-------------------------|-----|-----|-----|-----|-----|---|--|
| | | M20 | M25 | M32 | M40 | M50 | M63 | | |
| | | | S | 4 | 4 | 3 | 2 | 2 | |
| | | | Z | 2 | 2 | 2 | 1 | 1 | |
| | | | Y | 2 | 2 | 2 | 1 | 1 | |
| | | | X | 4 | 4 | 3 | 2 | 2 | |

端子表 Table of terminals:

| 箱体规格 Box specification | 导轨 TS35×7.5 Mounting rail TS35×7.5 | UK 接线端子规格及数量 Specification and quantities of UK terminals | | | | | | 订购号 Order No. |
|---------------------------|---------------------------------------|--|------------------|------------------|-------------------|-------------------|-------------------|--|
| | | 2.5mm ² | 4mm ² | 6mm ² | 10mm ² | 16mm ² | 35mm ² | |
| | | 25 | 23 | 18 | 15 | 13 | 8 | CZ1120e/031 CZ1120i/031 |
| | | 2×25 | 2×23 | 2×18 | 2×15 | 2×13 | 2×8 | |

CZ1120□/031 开孔表 Table of aperture:

| | CZ0227 | 钻孔面 Side of aperture | | | | | | |
|--|------------|-------------------------|-----|-----|-----|-----|-----|--|
| | | M20 | M25 | M32 | M40 | M50 | M63 | |
| | S | 4 | 4 | 3 | 2 | 2 | | |
| | Z | 4 | 4 | 3 | 2 | 2 | | |
| | Y | 4 | 4 | 3 | 2 | 2 | | |
| | X | 4 | 4 | 3 | 2 | 2 | | |

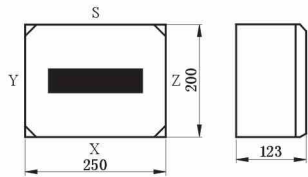
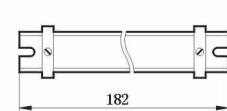
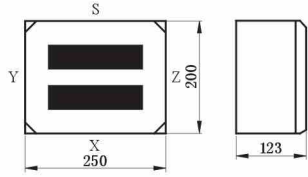
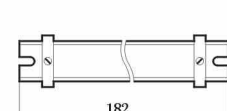
端子表 Table of terminals:

| 箱体规格 Box specification | 导轨 TS35×7.5 Mounting rail TS35×7.5 | UK 接线端子规格及数量 Specification and quantities of UK terminals | | | | | | 订购号 Order No. |
|---------------------------|---------------------------------------|--|------------------|------------------|-------------------|-------------------|-------------------|--|
| | | 2.5mm ² | 4mm ² | 6mm ² | 10mm ² | 16mm ² | 35mm ² | |
| | | 40 | 38 | 30 | 24 | 20 | 14 | CZ1120e/042 CZ1120i/042 |
| | | 2×40 | 2×38 | 2×30 | 2×24 | 2×20 | 2×14 | |

CZ1120□/042 开孔表 Table of aperture:


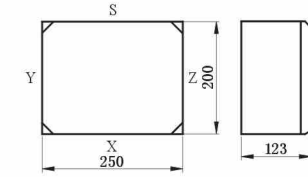
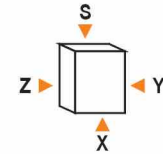
| | CZ0227 | 钻孔面 Side of aperture | | | | | | |
|--|------------|-------------------------|-----|-----|-----|-----|-----|--|
| | | M20 | M25 | M32 | M40 | M50 | M63 | |
| | S | 6 | 6 | 5 | 4 | 3 | 2 | |
| | Z | 4 | 4 | 3 | 2 | 2 | 1 | |
| | Y | 4 | 4 | 3 | 2 | 2 | 1 | |
| | X | 6 | 6 | 5 | 4 | 3 | 2 | |

端子表 Table of terminals:

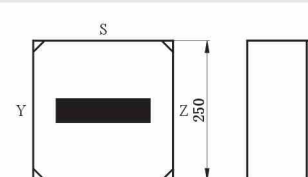
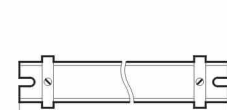
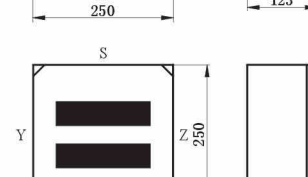
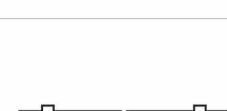
| 箱体规格 Box specification | 导轨 TS35×7.5 Mounting rail TS35×7.5 | UK 接线端子规格及数量 Specification and quantities of UK terminals | | | | | | 订购号 Order No. |
|---|---|--|------------------|------------------|-------------------|-------------------|-------------------|--|
| | | 2.5mm ² | 4mm ² | 6mm ² | 10mm ² | 16mm ² | 35mm ² | |
|  |  | 23 | 22 | 17 | 13 | 11 | 9 | CZ1120e/212 CZ1120i/212 |
|  |  | 2×23 | 2×22 | 2×17 | 2×13 | 2×11 | 2×9 | |

B


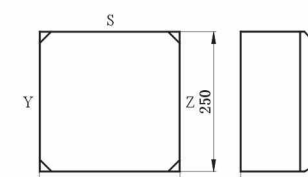
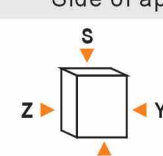
CZ1120□/212 开孔表 Table of aperture:

| 箱体规格 Box specification |  CZ0227 | 钻孔面 Side of aperture | | | | | | | |
|--|--|-------------------------|-----|-----|-----|-----|-----|-----|---|
| | | M20 | M25 | M32 | M40 | M50 | M63 | M75 | |
|  |  | S | 10 | 8 | 8 | 3 | 2 | 2 | 2 |
| | | Z | 8 | 8 | 6 | 2 | 1 | 1 | 1 |
| | | Y | 8 | 8 | 6 | 2 | 1 | 1 | 1 |
| | | X | 10 | 8 | 8 | 3 | 2 | 2 | 2 |

端子表 Table of terminals:

| 箱体规格 Box specification | 导轨 TS35×7.5 Mounting rail TS35×7.5 | UK 接线端子规格及数量 Specification and quantities of UK terminals | | | | | | 订购号 Order No. |
|---|---|--|------------------|------------------|-------------------|-------------------|-------------------|--|
| | | 2.5mm ² | 4mm ² | 6mm ² | 10mm ² | 16mm ² | 35mm ² | |
|  |  | 23 | 22 | 17 | 13 | 11 | 9 | CZ1120e/222 CZ1120i/222 |
|  |  | 2×23 | 2×22 | 2×17 | 2×13 | 2×11 | 2×9 | |

CZ1120□/222 开孔表 Table of aperture:

| 箱体规格 Box specification |  CZ0227 | 钻孔面 Side of aperture | | | | | | | |
|---|---|-------------------------|-----|-----|-----|-----|-----|-----|---|
| | | M20 | M25 | M32 | M40 | M50 | M63 | M75 | |
|  |  | S | 10 | 8 | 8 | 3 | 2 | 2 | 2 |
| | | Z | 10 | 8 | 8 | 3 | 2 | 2 | 2 |
| | | Y | 10 | 8 | 8 | 3 | 2 | 2 | 2 |
| | | X | 10 | 8 | 8 | 3 | 2 | 2 | 2 |

端子表 Table of terminals:

| 箱体规格 Box specification | 导轨 TS35×7.5 Mounting rail TS35×7.5 | UK 接线端子规格及数量 Specification and quantities of UK terminals | | | | | | 订购号 Order No. |
|---------------------------|---------------------------------------|--|------------------|------------------|-------------------|-------------------|-------------------|--|
| | | 2.5mm ² | 4mm ² | 6mm ² | 10mm ² | 16mm ² | 35mm ² | |
| | | 31 | 29 | 23 | 19 | 16 | 13 | CZ1120e/232 CZ1120i/232 |
| | | 2×31 | 2×29 | 2×23 | 2×19 | 2×16 | 2×13 | |

CZ1120□/232 开孔表 Table of aperture:

| | CZ0227 | 钻孔面 Side of aperture | | | | | | | | |
|--|------------|-------------------------|-----|-----|-----|-----|-----|-----|-----|-----|
| | | | M20 | M25 | M32 | M40 | M50 | M63 | M75 | M80 |
| | S | 12 | 10 | 10 | 3 | 3 | 3 | 2 | 1 | |
| | Z | 10 | 8 | 8 | 3 | 2 | 2 | 2 | 1 | |
| | Y | 10 | 8 | 8 | 3 | 2 | 2 | 2 | 1 | |
| | X | 12 | 10 | 10 | 3 | 3 | 3 | 2 | 1 | |

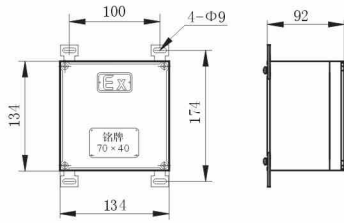
端子表 Table of terminals:

| 箱体规格 Box specification | 导轨 TS35×7.5 Mounting rail TS35×7.5 | UK 接线端子规格及数量 Specification and quantities of UK terminals | | | | | | 订购号 Order No. |
|---------------------------|---------------------------------------|--|------------------|------------------|-------------------|-------------------|-------------------|--|
| | | 2.5mm ² | 4mm ² | 6mm ² | 10mm ² | 16mm ² | 35mm ² | |
| | | 31 | 29 | 23 | 19 | 16 | 13 | CZ1120e/242 CZ1120i/242 |
| | | 2×31 | 2×29 | 2×23 | 2×19 | 2×16 | 2×13 | |

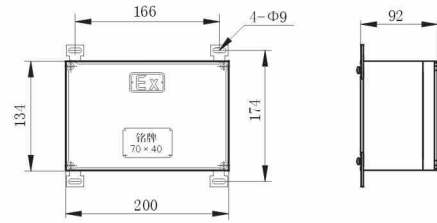
CZ1120□/242 开孔表 Table of aperture:

| | CZ0227 | 钻孔面 Side of aperture | | | | | | | | |
|--|------------|-------------------------|-----|-----|-----|-----|-----|-----|-----|-----|
| | | | M20 | M25 | M32 | M40 | M50 | M63 | M75 | M80 |
| | S | 12 | 10 | 10 | 3 | 3 | 3 | 2 | 1 | |
| | Z | 12 | 10 | 10 | 3 | 3 | 3 | 2 | 1 | |
| | Y | 12 | 10 | 10 | 3 | 3 | 3 | 2 | 1 | |
| | X | 12 | 10 | 10 | 3 | 3 | 3 | 2 | 1 | |

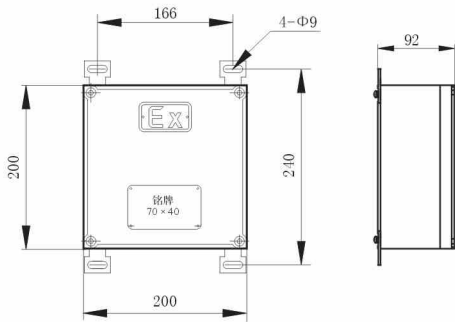
外形尺寸 Outline dimensions:



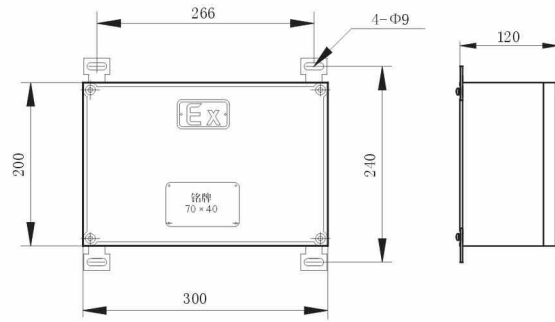
CZ1120□/011



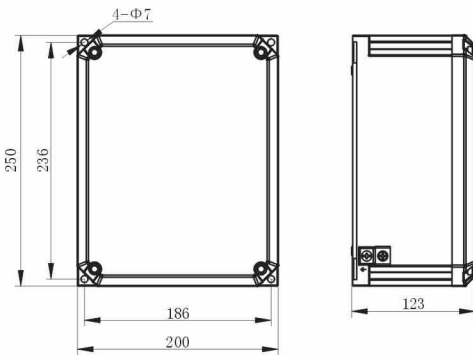
CZ1120□/021



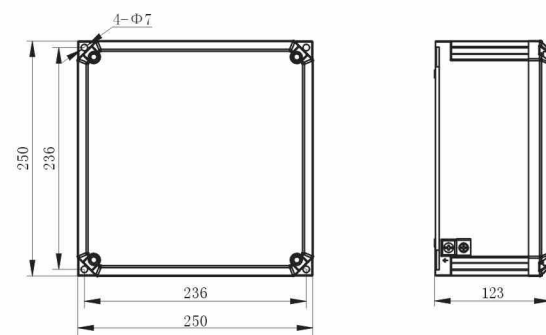
CZ1120□/031



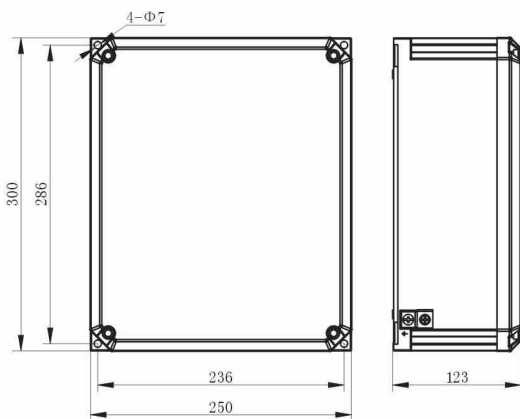
CZ1120□/042



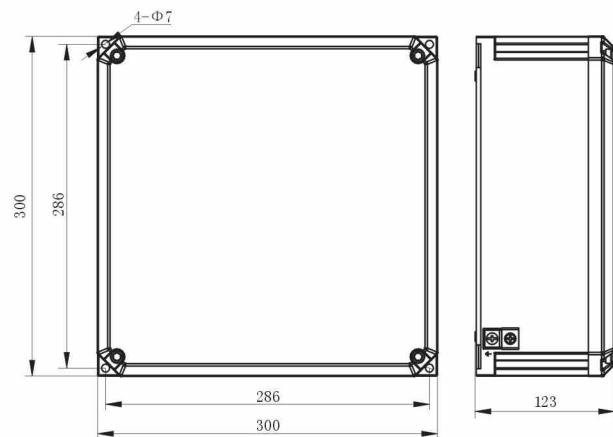
CZ1120□/212



CZ1120□/222



CZ1120□/232



CZ1120□/242

B