

CZ0865 / 0866



描述:

全塑防爆LED(应急)条形灯(杆式安装)壳体由玻璃纤维增强聚酯压模成型,透明罩采用抗紫外线PC注塑制成,其稳定性及机械强度高,对工厂或海洋平台中多种化学物质具有良好的防护能力。壳体与透明罩间设有防护密封圈,通过联锁机构使其压紧。行程开关由联锁机构进行操作,当行程开关处于分断时壳体才能打开。内部配置独立认证的防爆电源模块、防爆逆变模块,带有恒流输出和过温保护功能。LED光源模块采用了最新的高光效LED颗粒,配光与显色性能优异。在100-250V AC、50/60Hz线路中作照明之用,适用于爆炸性气体与粉尘环境内做正常照明或应急照明。

- 全塑防爆LED条形灯安装形式分为:吸顶式、吊链式、吊杆式、壁式和夹管式。
- 全塑防爆LED条形灯(杆式安装)安装分为:平台护栏式、平台法兰式、墙壁式。
- 设有联锁机构,透明罩与壳体没有完全闭合密封时不能通电工作,确保使用安全。
- 应急型设有故障信号指示、充电信号指示、放电信号指示。
- 永不变形的结构设计,防护等级高达IP66。
- IECEx 国际认证,ATEX 欧洲认证。

Descriptions:

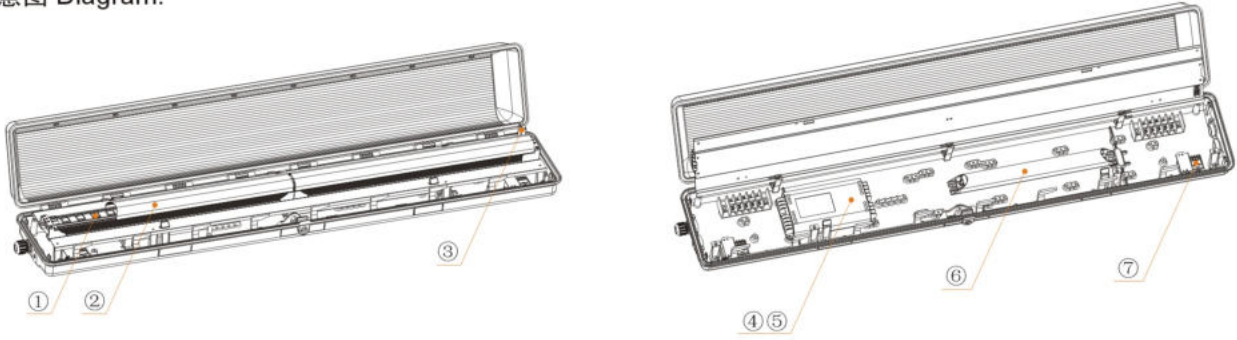
The enclosures of full plastic explosion-proof LED (emergency) linear light fittings(pole mounting) are manufactured by glass fiber reinforced polyester and the transparent parts are manufactured by anti-ultraviolet polycarbonate. They have good protection ability from various chemical matters in factories or offshore platform because of high stability and mechanical strength. The sealing gasket between the enclosure and the transparent parts are compacted by the interlock device. The isolation switch is operated by the interlock devices. The cover can be opened only when the isolation switch is switched off. The separately certified explosion-proof power supply module and explosion-proof inverter module inside have the function of constant current output and over temperature protection. With the latest high-efficient LED chips, LED light source module has excellent luminous intensity and color rendering performance. It can be working in circuit of 100-250V, 50/60Hz and applicable in explosive gas and dust atmosphere for normal or emergency lighting.

- Full plastic Explosion-proof LED linear light fittings mounting ways: ceiling type, chain type, Pendant type, Wall type and Clamp type.
- Full plastic Explosion-proof LED linear light fittings (pole mounting) mounting ways: Platform fence type, Platform flange type, Wall type.
- With interlock device, it can't be energized to work when transparent part and enclosure are not closed well.
- Emergency ones have indicators of fault, charging and discharging.
- The structural design is never distortion and its protection degree is up to IP66.
- IECEx and ATEX certified.

1 区和 2 区 **Zone 1 and zone 2**

21 区和 22 区 **Zone 21 and zone 22**

示意图 Diagram:


全塑防爆LED条形灯 CZ0866/2 × LED 30W□
 Full plastic explosion-proof LED linear light fittings

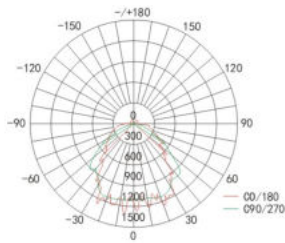
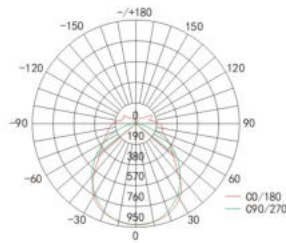
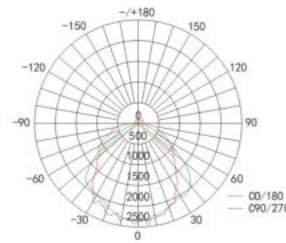
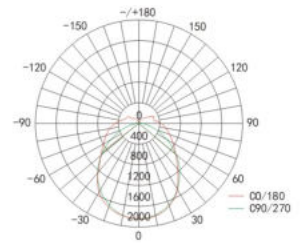
- ① LED 光源模块 LED light source module
- ② 柔光罩 (可选) Diffuser (optional)
- ④ 防爆电源模块 Explosion-proof power supply module
- ⑦ 防爆行程开关 Explosion-proof isolation switch

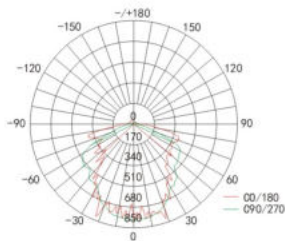
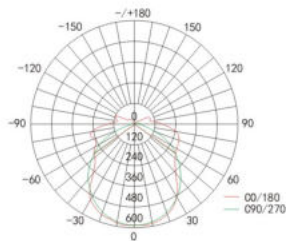
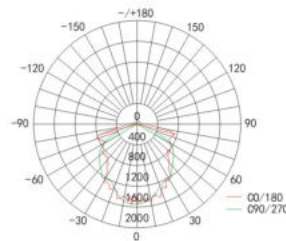
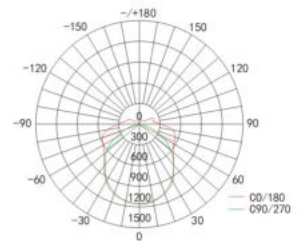
全塑防爆LED应急条形灯 CZ0866/2 × LED 30W□ YJ
 Full plastic explosion-proof LED (emergency) linear light fittings

- ① LED 光源模块 LED light source module
- ② 柔光罩 (可选) Diffuser (optional)
- ③ 防爆指示灯 Explosion-proof Indicator light
- ⑤ 防爆逆变器 Explosion-proof inverter
- ⑥ 防爆电池 Explosion-proof battery
- ⑦ 防爆行程开关 Explosion-proof isolation switch

配光曲线 Luminous intensity distribution curve:

光强单位 luminous intensity unit: cd

CZ0865、CZ0866 全塑防爆LED条形灯 Full plastic explosion-proof LED linear light fittings

 平均光束角 (50%) : 101.1°
 The average beam angle (50%) : 101.1°
CZ0865-1 × LED30W1
 无柔光罩
 Without diffuser

 平均光束角 (50%) : 99.8°
 The average beam angle (50%) : 99.8°
CZ0865-1 × LED30W2
 有柔光罩
 With diffuser

 平均光束角 (50%) : 101.2°
 The average beam angle (50%) : 101.2°
CZ0866-2 × LED30W1
 无柔光罩
 Without diffuser

 平均光束角 (50%) : 101.1°
 The average beam angle (50%) : 101.1°
CZ0866-2 × LED30W2
 有柔光罩
 With diffuser

CZ0865、CZ0866 全塑防爆LED应急条形灯 Full plastic explosion-proof LED emergency linear light fittings

 平均光束角 (50%) : 112.2°
 The average beam angle (50%) : 112.2°
CZ0865-1 × LED30W1 YJ
 (正常照明)
 Normal illumination
 无柔光罩
 Without diffuser

 平均光束角 (50%) : 108.9°
 The average beam angle (50%) : 108.9°
CZ0865-1 × LED30W2 YJ
 (正常照明)
 Normal illumination
 有柔光罩
 With diffuser

 平均光束角 (50%) : 133.5°
 The average beam angle (50%) : 133.5°
CZ0866-2 × LED30W1 YJ
 (正常照明)
 Normal illumination
 无柔光罩
 Without diffuser

 平均光束角 (50%) : 118.5°
 The average beam angle (50%) : 118.5°
CZ0866-2 × LED30W2 YJ
 (正常照明)
 Normal illumination
 有柔光罩
 With diffuser

主要数据 Main technical data:

认证 Certification	防爆标志 Ex mark	符合标准 Meet the standard
China: CE17.5005X	Ex d e mb q II C T5/T4 Gb Ex tD A21 IP66 T80°C (产品带行程开关 Product with isolation switch)	GB3836 GB12476
IECEX: IECEX CML 16.0116X	Ex db eb mb op is q II C T5/T4 Gb Ex tb op is III C T80°C Db (产品带行程开关 Product with isolation switch)	IEC60079
ATEX: CML 16ATEX1342X	⊕ II 2 G D Ex db eb mb op is q II C T5/T4 Gb Ex tb op is III C T80°C Db (产品带行程开关 Product with isolation switch)	EN60079

适用范围: 用于1区和2区, 用于21区和22区

 使用环境温度: T5 at -25°C < Ta < +40°C
 T4 at -25°C < Ta < +55°C

防护等级: IP66 (IP64 配呼吸阀 CZ0527)

额定电压: 100~250V AC 50/60Hz

色温: 5700K

显色指数: Ra ≥ 80

功率因数: λ > 0.95

 接线端子: L1、L2、L、N、PE, 每个端子 2 × 1.5-10mm²

电缆入口: 塑制 1 × M25 × 1.5, 电缆外径: Φ8-17mm

塑制 2 × M25 × 1.5 空塞堵头

杆式安装: 塑制 1 × M25 × 1.5, 电缆外径: Φ8-17mm

Intended use: Can be used in zone 1 and zone 2

Can be used in zone 21 and zone 22

Ambient temperature use: T5 at -25°C < Ta < +40°C

T4 at -25°C < Ta < +55°C

Degree of protection: IP66 (IP64 with breather CZ0527)

Rated voltage: 100~250V AC 50/60Hz

Color temperature: 5700K

Color rendering index: Ra ≥ 80

Power factor: λ > 0.95

 Terminals: L1, L2, L, N, PE, each terminal 2 × 1.5-10mm²

Cable entry: Moulded plastic 1 × M25 × 1.5 cable gland,

Outside diameter of cable: Φ8-17mm

Moulded plastic 2 × M25 × 1.5 stopping plugs

Pole mounting:

Moulded plastic 1 × M25 × 1.5 cable gland,

Outside diameter of cable: Φ8-17mm

全塑防爆LED条形灯订购规格 Order specifications of full plastic explosion-proof LED linear light fittings :

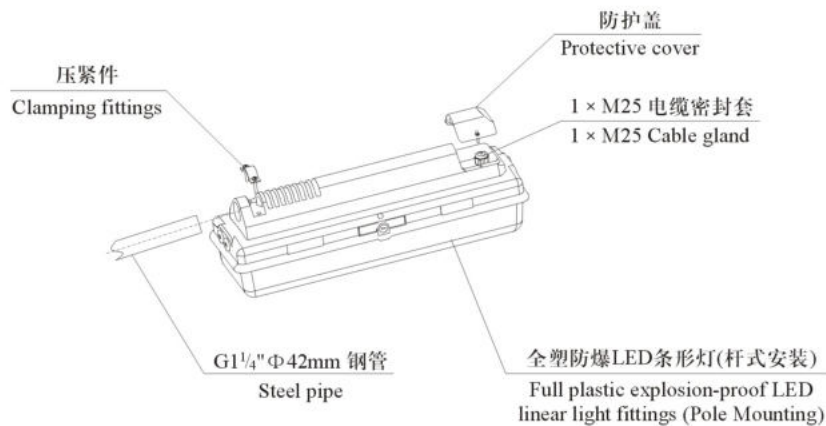
图样 Illustration	光源功率 Power of light source	光通量 Luminous flux	电流 Current	重量 Weight	订购号 Order No.
	1 × LED 30W 无柔光罩 Without diffuser	3396 lm	Max 0.28A	5.5kg	CZ0865 / 1 × LED30W1-K-B+ <input type="checkbox"/>
	1 × LED 30W 有柔光罩 With diffuser	2923 lm	Max 0.28A	5.6kg	CZ0865 / 1 × LED30W2-K-B+ <input type="checkbox"/>
	2 × LED 30W 无柔光罩 Without diffuser	6836 lm	Max 0.55A	8.9kg	CZ0866 / 2 × LED30W1-K-B+ <input type="checkbox"/>
	2 × LED 30W 有柔光罩 With diffuser	5868 lm	Max 0.55A	9.1kg	CZ0866 / 2 × LED30W2-K-B+ <input type="checkbox"/>
电缆引入装置编码 Code of cable gland ← 安装附件订购号 (不配不注) 见 29 页 ← Order No. of mounting accessories (No matching not noted), see page 29					

全塑防爆LED条形灯杆式安装订购规格 Order specifications of full plastic explosion-proof LED linear light fittings Pole Mounting:

图样 Illustration	光源功率 Power of light source	光通量 Luminous flux	电流 Current	重量 Weight	订购号 Order No.
	1 × LED 30W 无柔光罩 Without diffuser	3396 lm	Max 0.28A	7.2kg	CZ0865 / 1 × LED30W1-K-PM+ <input type="checkbox"/>
	1 × LED 30W 有柔光罩 With diffuser	2923 lm	Max 0.28A	7.3kg	CZ0865 / 1 × LED30W2-K-PM+ <input type="checkbox"/>
	2 × LED 30W 无柔光罩 Without diffuser	6836 lm	Max 0.55A	10.6kg	CZ0866 / 2 × LED30W1-K-PM+ <input type="checkbox"/>
	2 × LED 30W 有柔光罩 With diffuser	5868 lm	Max 0.55A	10.8kg	CZ0866 / 2 × LED30W2-K-PM+ <input type="checkbox"/>
安装附件订购号 (不配不注) 见 29 页 ← Order No. of mounting accessories (No matching not noted), see page 29					

电缆引入装置编码 Code of cable gland

编码 Code	规格 Specifications	电缆直径 Cable diameter
B	塑制 1 个 M25 × 1.5 电缆密封套, 塑制 2 个 M25 × 1.5 空塞堵头 One moulded plastic M25 × 1.5 cable gland, two moulded plastic M25 × 1.5 stopping plugs	Φ8-17mm
C	铜制 1 个 CZ0221/M25 × 1.5 金属电缆密封套, 塑制 2 个 M25 × 1.5 空塞堵头 One brass CZ0221/M25 × 1.5 metal cable gland, two moulded plastic M25 × 1.5 stopping plugs	Φ8-17mm
D	塑制 2 个 M25 × 1.5 电缆密封套, 塑制 1 个 M25 × 1.5 空塞堵头 Two moulded plastic M25 × 1.5 cable glands, one moulded plastic M25 × 1.5 stopping plug	Φ8-17mm
E	铜制 2 个 CZ0221/M25 × 1.5 金属电缆密封套, 塑制 1 个 M25 × 1.5 空塞堵头 Two brass CZ0221/M25 × 1.5 metal cable glands, one moulded plastic M25 × 1.5 stopping plug	Φ8-17mm
F	铜制 1 个 CZ0227/M25 × 1.5-G ^{3/4} " 增安型金属电缆密封套, 塑制 2 个 M25 × 1.5 空塞堵头 One brass CZ0227/M25 × 1.5-G ^{3/4} " increased safety metal cable gland, two moulded plastic M25 × 1.5 stopping plugs	Φ11-15mm
G	铜制 2 个 CZ0227/M25 × 1.5-G ^{3/4} " 增安型金属电缆密封套, 塑制 1 个 M25 × 1.5 空塞堵头 Two brass CZ0227/M25 × 1.5-G ^{3/4} " increased safety metal cable glands, one moulded plastic M25 × 1.5 stopping plug	Φ11-15mm
H	铜制 1 个 CZ0226/M25 × 1.5(G02) 增安型金属电缆密封套(填料函), 塑制 2 个 M25 × 1.5 空塞堵头 One brass CZ0226/M25 × 1.5(G02) increased safety metal cable gland (stopping boxes), two moulded plastic M25 × 1.5 stopping plugs	Φ11.5-16mm
I	铜制 2 个 CZ0226/M25 × 1.5(G02) 增安型金属电缆密封套(填料函), 塑制 1 个 M25 × 1.5 空塞堵头 Two brass CZ0226/M25 × 1.5(G02) increased safety metal cable glands (stopping boxes), one moulded plastic M25 × 1.5 stopping plug	Φ11.5-16mm

杆式安装示意图 Diagram of pole mounting:


主要数据 Main technical data:

认证 Certification	防爆标志 Ex mark	符合标准 Meet the standard
China: CE17.5005X	Ex d e mb q II C T4 Gb Ex tDA21 IP66 T80°C (产品带行程开关带熔断器 Product with isolation switch and fuse)	GB3836 GB12476
IECEX: IECEX CML 16.0116X	Ex db eb mb op is q II C T4 Gb Ex tb op is III C T80°C Db (产品带行程开关带熔断器 Product with isolation switch and fuse)	IEC60079
ATEX: CML 16ATEX1342X	Ⓜ II 2 G D Ex db eb mb op is q II C T4 Gb Ex tb op is III C T80°C Db (产品带行程开关带熔断器 Product with isolation switch and fuse)	EN60079

适用范围: 用于1区和2区, 用于21区和22区

 使用环境温度: $-25^{\circ}\text{C} \leq \text{Ta} < +50^{\circ}\text{C}$ (CZ0865)
 $-25^{\circ}\text{C} \leq \text{Ta} < +55^{\circ}\text{C}$ (CZ0866)

防护等级: IP66 (IP64配呼吸阀 CZ0527)

额定电压: 100~250V AC 50/60Hz

色温: 5700K

 显色指数: $\text{Ra} \geq 80$

 功率因数: $\lambda > 0.95$

充电时间: 24h

应急启动时间: 0.1 (S)

应急照明时间: >120 (min)

 接线端子: L1、L2、L、N、PE, 每个端子 $2 \times 1.5\text{-}10\text{mm}^2$

 电缆入口: 塑制 $1 \times \text{M}25 \times 1.5$, 电缆外径: $\Phi 8\text{-}17\text{mm}$

 塑制 $2 \times \text{M}25 \times 1.5$ 空塞堵头

 杆式安装: 塑制 $1 \times \text{M}25 \times 1.5$, 电缆外径: $\Phi 8\text{-}17\text{mm}$

Intended use: Can be used in zone 1 and zone 2

Can be used in zone 21 and zone 22

 Ambient temperature use: $-25^{\circ}\text{C} \leq \text{Ta} < +50^{\circ}\text{C}$ (CZ0865)
 $-25^{\circ}\text{C} \leq \text{Ta} < +55^{\circ}\text{C}$ (CZ0866)

Degree of protection: IP66 (IP64 with breather CZ0527)

Rated voltage: 100~250V AC 50/60Hz

Color temperature: 5700K

 Color rendering index: $\text{Ra} \geq 80$

 Power factor: $\lambda > 0.95$

Recharging time: 24 h

Emergency starting time: 0.1 (S)

Emergency illuminating time: >120 (min)

 Terminals: L1, L2, L, N, PE, each terminal $2 \times 1.5\text{-}10\text{mm}^2$

 Cable entry: Moulded plastic $1 \times \text{M}25 \times 1.5$ cable gland,


 Outside diameter of cable: $\Phi 8\text{-}17\text{mm}$

 Moulded plastic $2 \times \text{M}25 \times 1.5$ stopping plugs


Pole mounting:

 Moulded plastic $1 \times \text{M}25 \times 1.5$ cable gland,

 Outside diameter of cable: $\Phi 8\text{-}17\text{mm}$
全塑防爆应急LED条形灯订购规格 Order specifications of full plastic explosion-proof emergency LED linear light fittings :

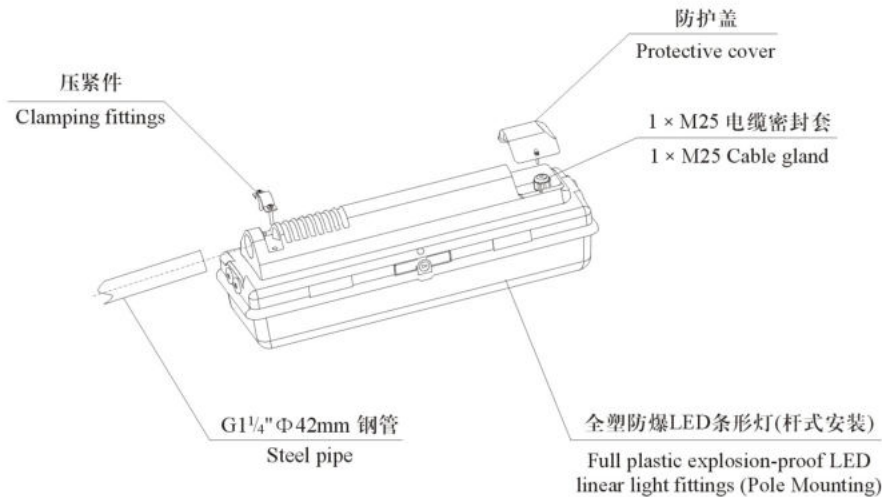
图样 Illustration	光源功率 Power of light source	光通量 Luminous flux		电流 Current (Max)	重量 Weight	订购号 Order No.
		正常照明 Normal illumination	应急照明 Emergency illumination			
	1×LED 30W 无柔光罩 Without diffuser	2920 lm	893 lm	0.34A	8.6kg	CZ0865 / 1 × LED30W1-YJ-FK-B+ <input type="checkbox"/>
	1×LED 30W 有柔光罩 With diffuser	2377 lm	712 lm	0.34A	8.7kg	CZ0865 / 1 × LED30W2-YJ-FK-B+ <input type="checkbox"/>
	2×LED 30W 无柔光罩 Without diffuser	5978 lm	1794 lm	0.63A	11.9kg	CZ0866 / 2 × LED30W1-YJ-FK-B+ <input type="checkbox"/>
	2×LED 30W 有柔光罩 With diffuser	4671 lm	1435 lm	0.63A	12.1kg	CZ0866 / 2 × LED30W2-YJ-FK-B+ <input type="checkbox"/>
电缆引入装置编码 Code of cable gland ← 安装附件订购号(不配不注)见29页 ← Order No. of mounting accessories (No matching not noted), see page 29						

全塑防爆应急LED条形灯杆式安装订购规格
Order specifications of full plastic explosion-proof emergency LED linear light fittings Pole Mounting:

图样 Illustration	光源功率 Power of light source	光通量 Luminous flux		电流 Current (Max)	重量 Weight	订购号 Order No.
		正常照明 Normal illumination	应急照明 Emergency illumination			
	1×LED 30W 无柔光罩 Without diffuser	2920 lm	893 lm	0.34A	9.8kg	CZ0865 / 1 × LED30W1-YJ-FK-PM+ <input type="checkbox"/>
	1×LED 30W 有柔光罩 With diffuser	2377 lm	712 lm	0.34A	9.9kg	CZ0865 / 1 × LED30W2-YJ-FK-PM+ <input type="checkbox"/>
	2×LED 30W 无柔光罩 Without diffuser	5978 lm	1794 lm	0.63A	12.4kg	CZ0866 / 2 × LED30W1-YJ-FK-PM+ <input type="checkbox"/>
	2×LED 30W 有柔光罩 With diffuser	4671 lm	1435 lm	0.63A	12.6kg	CZ0866 / 2 × LED30W2-YJ-FK-PM+ <input type="checkbox"/>
安装附件订购号(不配不注)见29页 ← Order No. of mounting accessories (No matching not noted), see page 29						

电缆引入装置编码 Code of cable gland

编码 Code	规格 Specifications	电缆直径 Cable diameter
B	塑制 1 个 M25 × 1.5 电缆密封套, 塑制 2 个 M25 × 1.5 空塞堵头 One moulded plastic M25 × 1.5 cable gland, two moulded plastic M25 × 1.5 stopping plugs	Φ8-17mm
C	铜制 1 个 CZ0221/M25 × 1.5 金属电缆密封套, 塑制 2 个 M25 × 1.5 空塞堵头 One brass CZ0221/M25 × 1.5 metal cable gland, two moulded plastic M25 × 1.5 stopping plugs	Φ8-17mm
D	塑制 2 个 M25 × 1.5 电缆密封套, 塑制 1 个 M25 × 1.5 空塞堵头 Two moulded plastic M25 × 1.5 cable glands, one moulded plastic M25 × 1.5 stopping plug	Φ8-17mm
E	铜制 2 个 CZ0221/M25 × 1.5 金属电缆密封套, 塑制 1 个 M25 × 1.5 空塞堵头 Two brass CZ0221/M25 × 1.5 metal cable glands, one moulded plastic M25 × 1.5 stopping plug	Φ8-17mm
F	铜制 1 个 CZ0227/M25 × 1.5-G ³ / ₄ " 增安型金属电缆密封套, 塑制 2 个 M25 × 1.5 空塞堵头 One brass CZ0227/M25 × 1.5-G ³ / ₄ " increased safety metal cable gland, two moulded plastic M25 × 1.5 stopping plugs	Φ11-15mm
G	铜制 2 个 CZ0227/M25 × 1.5-G ³ / ₄ " 增安型金属电缆密封套, 塑制 1 个 M25 × 1.5 空塞堵头 Two brass CZ0227/M25 × 1.5-G ³ / ₄ " increased safety metal cable glands, one moulded plastic M25 × 1.5 stopping plug	Φ11-15mm
H	铜制 1 个 CZ0226/M25 × 1.5(G02) 增安型金属电缆密封套(填料函), 塑制 2 个 M25 × 1.5 空塞堵头 One brass CZ0226/M25 × 1.5(G02) increased safety metal cable gland (stopping boxes), two moulded plastic M25 × 1.5 stopping plugs	Φ11.5-16mm
I	铜制 2 个 CZ0226/M25 × 1.5(G02) 增安型金属电缆密封套(填料函), 塑制 1 个 M25 × 1.5 空塞堵头 Two brass CZ0226/M25 × 1.5(G02) increased safety metal cable glands (stopping boxes), one moulded plastic M25 × 1.5 stopping plug	Φ11.5-16mm

杆式安装示意图 Diagram of pole mounting:


安装附件 Accessories of mounting:

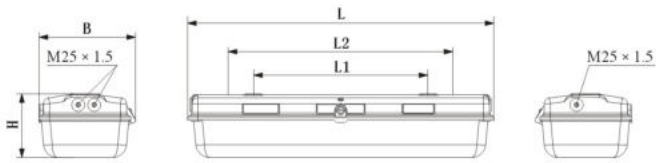
图样 Illustration	描述 Descriptions	单位 Unit	订购号 Order No.
吊杆式附件 Accessories for pendant type 		套Set	D622
吊链式附件 Accessories for chain type 		套Set	D623
夹管附件M8螺钉安装 Accessories for clamp type M8 bolt mounting 		G1 1/4" Φ42mm 钢制 Steel	套Set J200
		G1 1/4" Φ42mm 不锈钢 Stainless steel	套Set J200/304
		G1 1/2" Φ48mm 钢制 Steel	套Set J300
		G1 1/2" Φ48mm 不锈钢 Stainless steel	套Set J300/304
		G2" Φ60mm 钢制 Steel	套Set J400
		G2" Φ60mm 不锈钢 Stainless steel	套Set J400/304
吸顶式支架 Support for ceiling type 		钢制 Steel	套Set D621
		不锈钢 Stainless steel	套Set D621/304
可调安装支架 Adjustable mounting bracket 		套Set	D8738
壁式灯杆 Lamp pole of wall type 	用于CZ0865 LED条形灯 Used for CZ0865 LED linear light fittings	套Set	D8709/1A
	用于CZ0866 LED条形灯 Used for CZ0866 LED linear light fittings	套Set	D8709/2A
护栏式灯杆 Lamp pole of fence type 	用于CZ0865 LED条形灯 Used for CZ0865 LED linear light fittings	套Set	D8710/1A
	用于CZ0866 LED条形灯 Used for CZ0866 LED linear light fittings	套Set	D8710/2A
法兰式灯杆 Lamp pole of flange type 	用于CZ0865 LED条形灯 Used for CZ0865 LED linear light fittings	套Set	D8711/1A
	用于CZ0866 LED条形灯 Used for CZ0866 LED linear light fittings	套Set	D8711/2A
杆式墙壁安装支架 Wall mounting bracket of pole type 	用于杆式安装条形灯 Use for pole mounting linear light fittings	套Set	D8739
护栏式灯杆 Lamp pole of fence type 	用于杆式安装条形灯 Use for pole mounting linear light fittings	套Set	D8740
法兰式灯杆 Lamp pole of flange type 		套Set	D8741
护栏式灯杆 Lamp pole of fence type 	用于杆式安装条形灯 Use for pole mounting linear light fittings	套Set	D8705
法兰式灯杆 Lamp pole of flange type 		套Set	D8706
安装支架 Mounting bracket 	用于CZ0865 LED 条形灯 Used for CZ0865 LED linear light fittings	套Set	D8742/1
	用于CZ0866 LED 条形灯 Used for CZ0866 LED linear light fittings	套Set	D8742/2

备件 Spare parts:

图样 Illustration	描述 Descriptions	单位 Unit	订购号 Order No.
接地螺母 Earthing nut 	金属接地螺母 2-M25 × 1.5 Metal earthing nut 2-M25 × 1.5	套 Set	D8714/2-M25
防爆熔断器模块 Explosion-proof fuse module 	防爆型式 Type of protection	0.8A 只 Piece	CZ0804 / T0.8A
	II 2G Ex e mb II C Gb	1.25A 只 Piece	CZ0804 / T1.25A
		6.3A 只 Piece	CZ0804 / T6.3A
防爆行程开关模块 Explosion-proof isolation switch module 	防爆型式: II 2G Ex db eb IIC Gb 触点二常闭 (2NC) Type of protection, Contact: 2NC (2NC)	只 Piece	CZ0207-1
增安型呼吸、排流阀 Increased safety breathing, drainage valve 	防爆型式: II 2GD Ex eb IIC Gb Ex tb III C Db Type of protection	只 Piece	CZ0527 2515 e001
带导线端子板 With conductor terminal board 	防爆型式: II 2G Ex eb IIC Gb 3P 端子, 导线 3 × 2.5mm ² , max16A, L1+N+PE Type of protection	1 × LED 30W 套 Set	305/21
	II 2G Ex eb IIC Gb 3P terminal, Conductor 3 × 2.5mm ²	2 × LED 30W 套 Set	305/22
	防爆型式: II 2G Ex eb IIC Gb 4P 端子, 导线 4 × 2.5mm ² , max16A, L1+L2+N+PE Type of protection	1 × LED 30W 套 Set	305/31
	II 2G Ex eb IIC Gb 4P terminal, Conductor 4 × 2.5mm ²	2 × LED 30W 套 Set	305/32
防爆 LED 光源模块 Explosion-proof LED light source module 	II 2G Ex eb mb op is IIC Gb 功率 Power: 30W / 3851 lm / 5700K 无柔光罩 Without diffuser	只 Piece	CZ1618/11-LED30W1
	II 2G Ex eb mb op is IIC Gb 功率 Power: 30W / 3366 lm / 5700K 有柔光罩 With diffuser	只 Piece	CZ1618/11-LED30W2
防爆电源模块 Explosion-proof power supply module 	防爆型式: II 2G Ex eb q IIC Gb 功率: 2 × 30W, 用于 2 × LED30W 条形灯 AC100-250V Type of protection: II 2G Ex eb q IIC Gb Power: 2 × 30W, Used for 2 × LED30W linear light fittings	只 Piece	CZ1618/57-2 × LED30W
防爆逆变器模块 Explosion-proof inverter module 	防爆型式: II 2G Ex eb q IIC Gb 正常功率: 2 × 30W, 应急功率: 2 × 10W 用于 2 × LED30W YJ 应急LED条形灯 AC100-250V Type of protection: II 2G Ex eb q IIC Gb Normal power: 2 × 30W, emergency power: 2 × 10W, Used for 2 × LED30W emergency LED linear light fittings	只 Piece	CZ1618/58-2 × LED30W
防爆电池模块 Explosion-proof battery module 	防爆型式: II 2G Ex eb IIC Gb, 3.0Ah/7.2V Type of protection, 3.0Ah/7.2V	套 Set	CZ0819/3.0Ah 7.2V
	II 2G Ex eb IIC Gb, 4.5Ah/7.2V Type of protection	套 Set	CZ0819/4.5Ah 7.2V
防爆应急指示灯模块 Explosion-proof emergency indicator module 	防爆型式: II 2G Ex mb IIC Gb, LED三种颜色: 红、黄、绿 Type of protection Three colors for LED: red, yellow, green	套 Set	CZ0802/1
M8/SW13 套筒扳手 M8/SW13 Sleeve spanner 	用于 CZ0865、CZ0866, 材质: 优质钢表面镀锌 Used for CZ0865、CZ0866, Material: Fine quality steel with galvanized surface	套 Set	D601

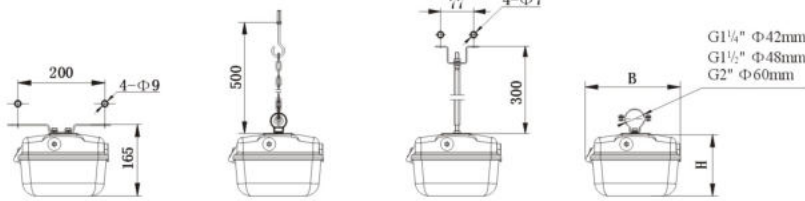
安装形式和外形尺寸 Mounting ways and outline dimensions:

单位 Unit: mm


全塑防爆(应急)条形灯

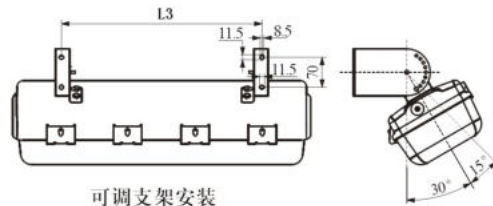
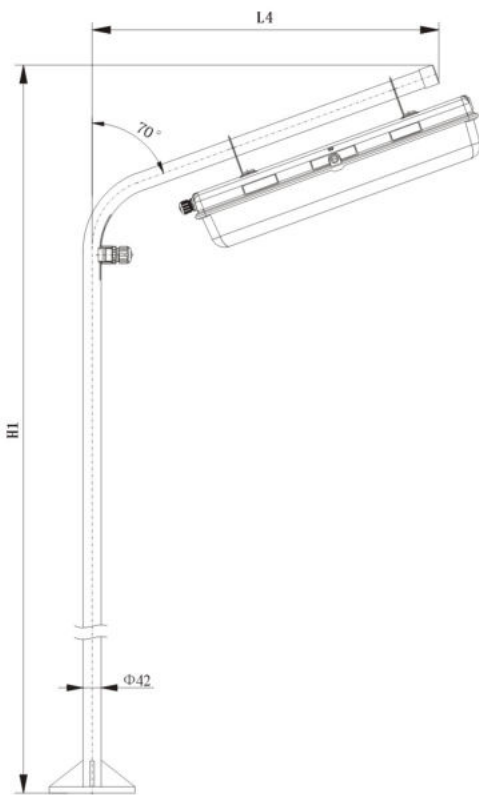
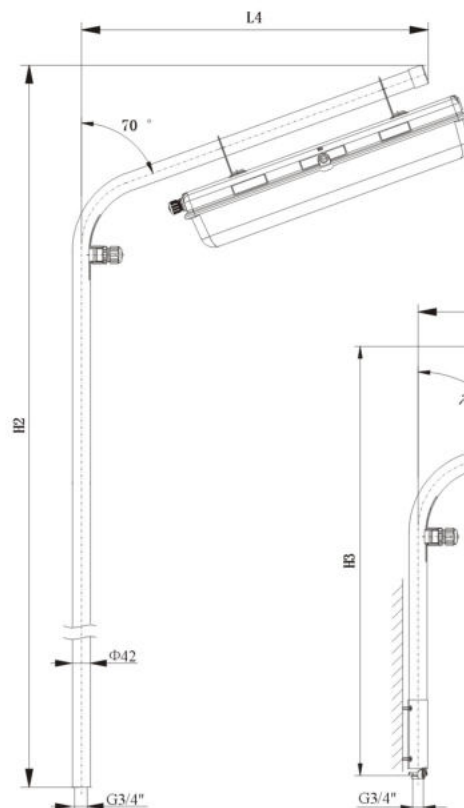
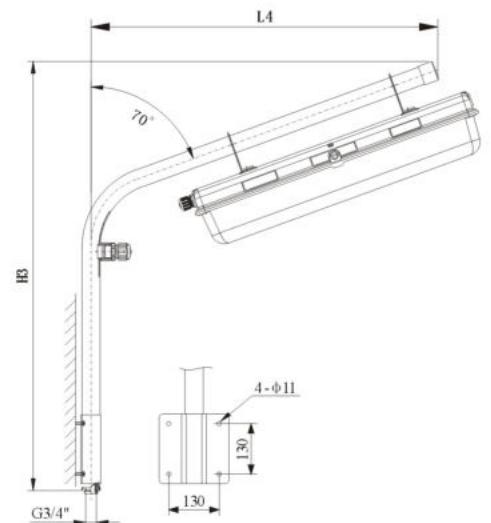
Full plastic explosion-proof (emergency) linear light fittings

型号 Type	CZ0865	CZ0866
L	698	1310
L1	400	800
L2	550	1100
L3	470	870
L4	800	1300
B	222	222
H	145	145
H1	2510	2510
H2	2500	2500
H3	1050	1050

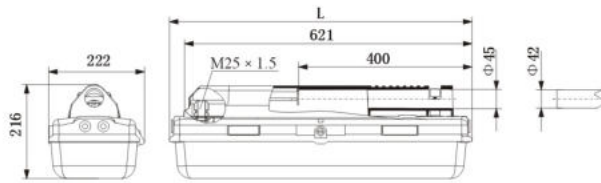
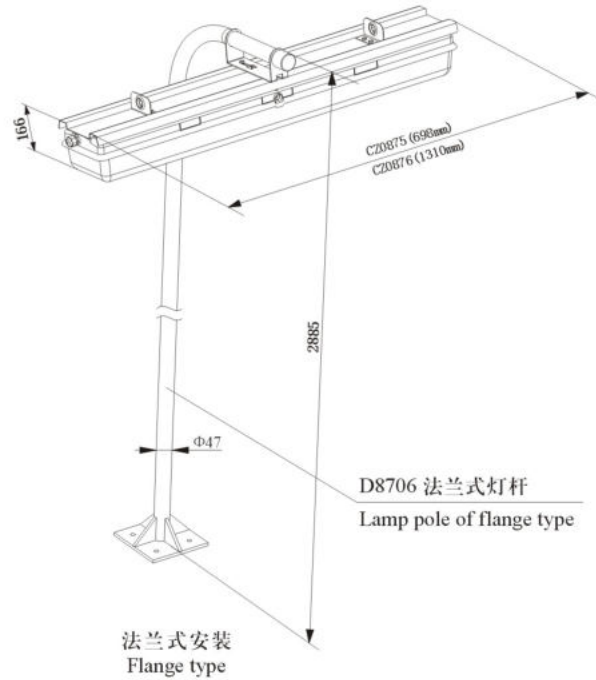
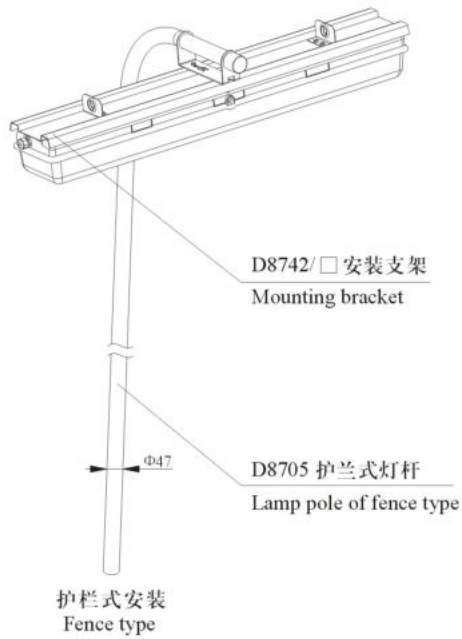

吸顶式安装
Ceiling type

吊链式安装
Chain type

吊杆式安装
Pendant type

夹管式安装
Clamp type

可调支架安装
Adjustable mounting bracket

法兰式安装
Flange type

护栏式安装
Fence type

壁式安装
Wall type

安装形式和外形尺寸 Mounting ways and outline dimensions:

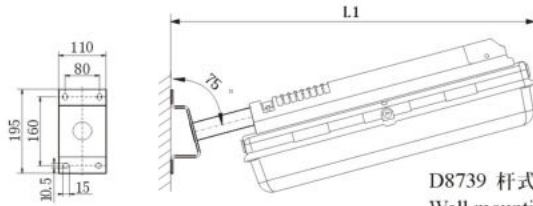


全塑防爆(应急)条形灯(杆式安装)

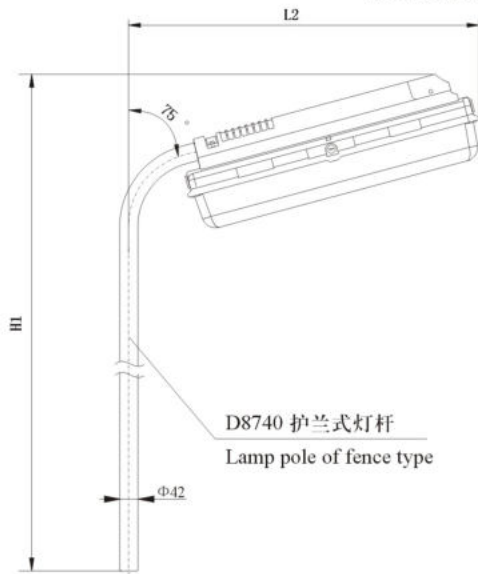
Full plastic explosion-proof (emergency) linear light fittings (Pole Mounting)

单位 Unit: mm

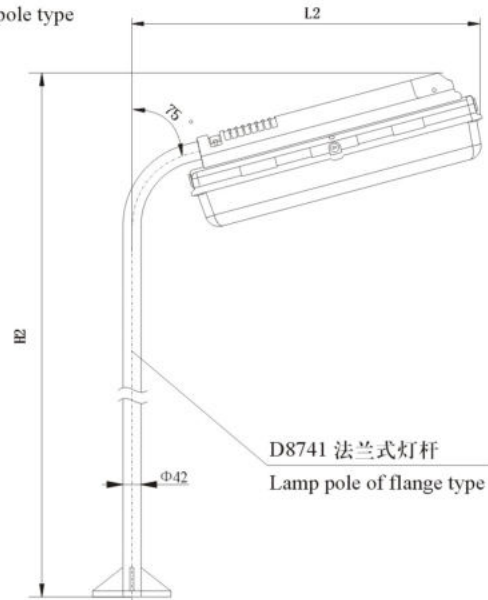
型号 Type	L	L1	L2	H1	H2
CZ0865	698	850	815	2635	2645
CZ0866	1310	1440	1405	2740	2750



D8739 杆式墙壁安装支架
Wall mounting bracket of pole type



护栏式安装 Fence type



法兰式安装 Flange type