

CZ0264/31



描述:

防爆LED(应急)条形灯壳体由玻璃纤维增强聚酯压模成型,透明罩采用抗紫外线PC注塑制成,其稳定性及机械强度高,对工厂中多种化学物质具有良好的防护能力。壳体与透明罩间设有防护密封圈,通过连锁机构使其压紧。选择行程开关具有机械连锁开盖断电功能。内部配置独立认证的防爆电源模块、防爆逆变模块,带有恒流输出和过温保护功能。LED光源模块采用了最新的高光效LED颗粒,配光与显色性能优异。在100~250V AC、50/60Hz线路中作照明之用,适用于爆炸性气体与粉尘环境内做正常照明或应急照明。

- 应急型设有故障信号指示、充电信号指示、放电信号指示。
- 可选配防爆行程开关和防爆熔断器
- IECEx 国际认证, ATEX 欧洲认证

Descriptions:

The enclosures of full plastic explosion-proof LED (or emergency) linear light fittings are manufactured by glass fibre reinforced polyester and the transparent parts are molded by anti-ultraviolet PC injection. They have good protection ability from various chemical matters in factories because of high stability and mechanical strength. The sealing gasket between the enclosure and the transparent parts are compacted by the interlock device. The isolation switch is activated by the interlock device to cut off the power supply once the enclosure is opened. The separately certified explosion-proof power supply module, explosion-proof inverter module inside have the functions of constant current output and over temperature protection. With latest high-efficient LED chips, LED module has excellend luminous intensity and color rendering performance. It can be working in circuit of 100~250VAC, 50/60Hz and applicable in explosive gas and dust atmosphere for normal or emergency lighting.

- Emergency versions have signal lamps indicating fault if there is, charging and discharging.
- Explosion-proof isolation switch and explosion-proof fuse are optional.
- IECEx and ATEX certified.

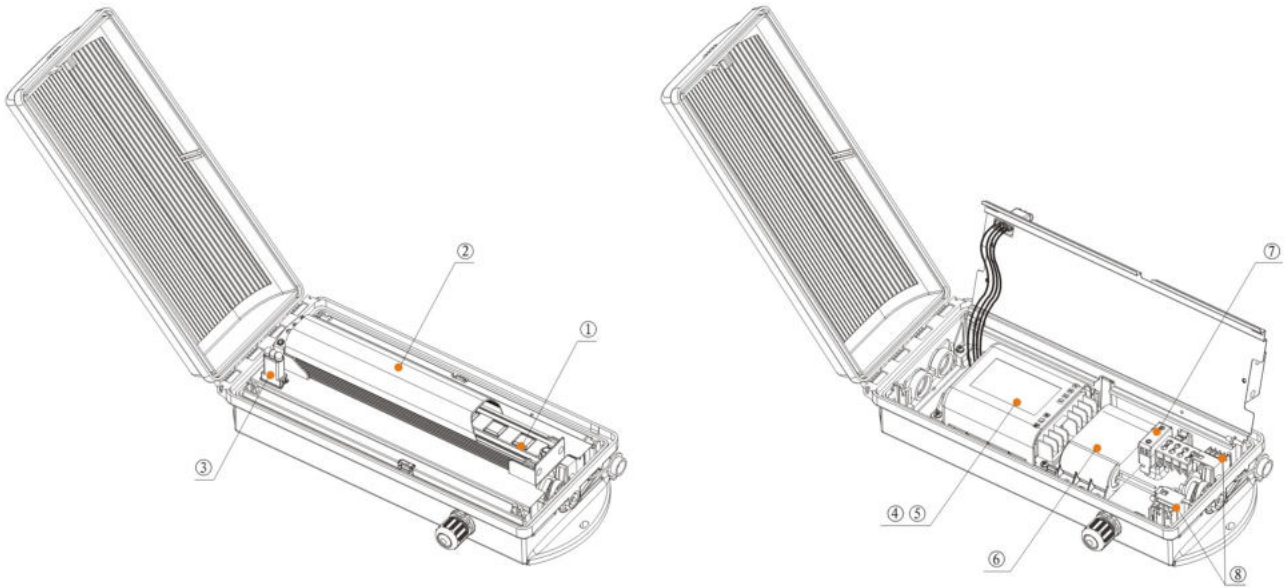
1 区和 2 区

Zone 1 and zone 2

21 区和 22 区

Zone 21 and zone 22

示意图 Diagram:



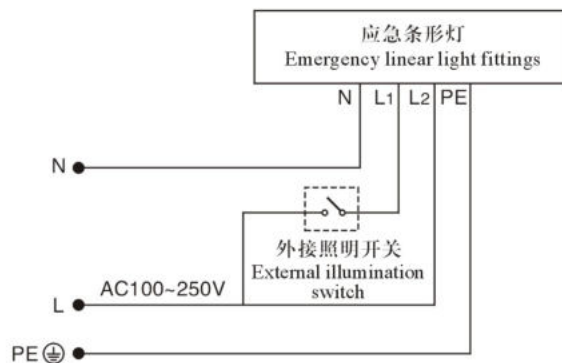
CZ0264/31 防爆 LED 条形灯
Explosion-proof LED linear light fittings

- | | |
|------------------|--|
| ① LED 光源模块 | LED light source module |
| ② 柔光罩 (可选) | Diffuser (optional) |
| ④ 防爆电源模块 | Explosion-proof power supply module |
| ⑦ 防爆熔断器模块 (可选) | Explosion-proof fuse module (optional) |
| ⑧ 防爆行程开关 (可选) | Explosion-proof isolation switch module (optional) |

CZ0264/31 防爆 LED 应急条形灯
Explosion-proof LED emergency linear light fittings

- | | |
|------------------|--|
| ① LED 光源模块 | LED light source module |
| ② 柔光罩 (可选) | Diffuser (optional) |
| ③ 防爆指示灯 | Explosion-proof indicator |
| ⑤ 防爆逆变器模块 | Explosion-proof inverter module |
| ⑥ 防爆电池模块 | Explosion-proof battery module |
| ⑦ 防爆熔断器模块 (可选) | Explosion-proof fuse module (optional) |
| ⑧ 防爆行程开关 (可选) | Explosion-proof isolation switch module (optional) |

应急灯具安装线路图 Mounting circuit diagram for emergency light fittings:



主要数据 Main technical data:

认证 Certification	防爆标志 Ex mark	符合标准 Meet the standard
China: CE18.5043X	Ex e mb q II C T6/T5 Gb Ex tD A21 IP55 T80°C (产品不装熔断器不装开关 Product without fuse and switch fitted)	GB3836 GB12476
	Ex d e mb q II C T6/T5 Gb Ex tD A21 IP55 T80°C (产品装熔断器装开关 Product with fuse and switch fitted)	
IECEX: IECEX CML 16.0116X	Ex eb mb op is q II C T6/T5 Gb Ex tb op is IIIC T80°C Db (产品不装熔断器不装开关 Product without fuse and switch fitted)	IEC60079
	Ex db eb mb op is q II C T6/T5 Gb Ex tb op is IIIC T80°C Db (产品装熔断器装开关 Product with fuse and switch fitted)	
ATEX: CML 16ATEX1342X	Ex eb mb op is q II C T6/T5 Gb Ex tb op is IIIC T80°C Db (产品不装熔断器不装开关 Product without fuse and switch fitted)	EN60079
	Ex db eb mb op is q II C T6/T5 Gb Ex tb op is IIIC T80°C Db (产品装熔断器装开关 Product with fuse and switch fitted)	

适用范围: 用于 1 区和 2 区, 用于 21 区和 22 区

 使用环境温度: T6 at -25°C ≤ Ta ≤ +40°C
 T5 at -25°C ≤ Ta ≤ +50°C

防护等级: IP55

额定电压: AC100 ~ 250V 50/60Hz

额定电流: Max 0.15A

色温: 5700K

显色指数: Ra ≥ 80

功率因数: λ > 0.95

 接线端子: 2 × 2.5mm²

 电缆入口: 塑制 1 × M25 × 1.5, 电缆外径: Φ8-17mm
 塑制 2 × M25 × 1.5 空塞堵头

符合: CE 2460

重量: 3.36 kg

Intended use: Can be used in zone 1 and zone 2

Can be used in zone 21 and zone 22

 Ambient temperature use: T6 at -25°C ≤ Ta ≤ +40°C
 T5 at -25°C ≤ Ta ≤ +50°C

Degree of protection: IP55

Rated voltage: AC100 ~ 250V 50/60Hz

Rated current: Max 0.15A

Color temperature: 5700K

Color rendering index: Ra ≥ 80

Power factor: λ > 0.95

 Terminals: 2 × 2.5mm²

 Cable entry: Moulded plastic 1 × M25 × 1.5 cable gland,
 Outside diameter of cable: Φ8-17mm

Moulded plastic 2 × M25 × 1.5 stopping plugs

Conformity to: CE 2460

Weight: 3.36 kg

订购规格 Order specifications:

描述 Descriptions	光源功率 / 光通量 Power of light source / Luminous flux	柔光罩 Diffuser	订购号 Order No.
 产品不装熔断器 不装行程开关 Product without fuse and switch fitted	LED 16W / 2007 lm	无 Without	CZ0264/31-LED16W1-B
	LED 16W / 1646 lm	有 With	CZ0264/31-LED16W2-B
产品装熔断器 装行程开关 Product with fuse and switch fitted	LED 16W / 2007 lm	无 Without	CZ0264/31-LED16W1-FK-B
	LED 16W / 1646 lm	有 With	CZ0264/31-LED16W2-FK-B

电缆引入装置编码 Code of cable gland ←

电缆引入装置编码 Code of cable gland:

编码 Code	规格 Specifications	电缆直径 Cable diameter
B	塑制 1 个 M25 × 1.5 电缆密封套, 塑制 2 个 M25 × 1.5 空塞堵头 One moulded plastic M25 × 1.5 cable gland, two moulded plastic M25 × 1.5 stopping plugs	Φ8-17mm
C	铜制 1 个 CZ0221/M25 × 1.5 金属电缆密封套, 塑制 2 个 M25 × 1.5 空塞堵头 One brass CZ0221/M25 × 1.5 metal cable gland, two moulded plastic M25 × 1.5 stopping plugs	Φ8-17mm
D	塑制 2 个 M25 × 1.5 电缆密封套, 塑制 1 个 M25 × 1.5 空塞堵头 Two moulded plastic M25 × 1.5 cable glands, one moulded plastic M25 × 1.5 stopping plug	Φ8-17mm
E	铜制 2 个 CZ0221/M25 × 1.5 金属电缆密封套, 塑制 1 个 M25 × 1.5 空塞堵头 Two brass CZ0221/M25 × 1.5 metal cable glands, one moulded plastic M25 × 1.5 stopping plug	Φ8-17mm

主要数据 Main technical data:

认证 Certification	防爆标志 Ex mark	符合标准 Meet the standard
China: CE18.5043X	Ex e mb q II C T6/T5 Gb Ex tD A21 IP55 T80°C (产品不装熔断器不装开关 Product without fuse and switch fitted)	GB3836 GB12476
	Ex d e mb q II C T6/T5 Gb Ex tD A21 IP55 T80°C (产品装熔断器装开关 Product with fuse and switch fitted)	
IECEX: IECEX CML 16.0116X	Ex eb mb op is q II C T6/T5 Gb Ex tb op is IIIC T80°C Db (产品不装熔断器不装开关 Product without fuse and switch fitted)	IEC60079
	Ex db eb mb op is q II C T6/T5 Gb Ex tb op is IIIC T80°C Db (产品装熔断器装开关 Product with fuse and switch fitted)	
ATEX: CML 16ATEX1342X	⊕ II 2GD Ex eb mb op is q II C T6/T5 Gb Ex tb op is IIIC T80°C Db (产品不装熔断器不装开关 Product without fuse and switch fitted)	EN60079
	⊕ II 2GD Ex db eb mb op is q II C T6/T5 Gb Ex tb op is IIIC T80°C Db (产品装熔断器装开关 Product with fuse and switch fitted)	

适用范围: 用于 1 区和 2 区, 用于 21 区和 22 区

 使用环境温度: T6 at -25°C ≤ Ta ≤ +40°C
 T5 at -25°C ≤ Ta ≤ +50°C

防护等级: IP55

额定电压: AC100 ~ 250V 50/60Hz

额定电流: Max 0.16A

色温: 5700K

显色指数: Ra ≥ 80

功率因数: λ > 0.95

充电时间: 24 h

应急启动时间: 0.1 (S)

应急照明时间: > 120 (min)

 接线端子: 2 × 2.5mm²

 电缆入口: 塑制 1 × M25 × 1.5, 电缆外径: Φ8-17mm
 塑制 2 × M25 × 1.5 空塞堵头

重量: 3.52 kg

Intended use: Can be used in zone 1 and zone 2

Can be used in zone 21 and zone 22

Ambient temperature use: T6 at -25°C ≤ Ta ≤ +40°C

T5 at -25°C ≤ Ta ≤ +50°C

Degree of protection: IP55

Rated voltage: AC100 ~ 250V 50/60Hz

Rated current: Max 0.16A

Color temperature: 5700K

Color rendering index: Ra ≥ 80

Power factor: λ > 0.95

Recharging time: 24 h

Emergency starting time: 0.1 (S)

Emergency illuminating time: > 120 (min)

Battery Configuration: CZ0819/1.0Ah 7.2V

Battery designed life: ≥ 500 times recharging

 Terminals: 2 × 2.5mm²

Cable entry: Moulded plastic 1 × M25 × 1.5 cable gland,


Outside diameter of cable: Φ8-17mm

Moulded plastic 2 × M25 × 1.5 stopping plugs

Weight: 3.52 kg

订购规格 Order specifications:

描述 Descriptions	光源功率 / 光通量 Power of light source / Luminous flux		柔光罩 Diffuser	订购号 Order No.
	正常照明 Normal illumination	应急照明 Emergency illumination		
产品不装熔断器 不装行程开关 Product without fuse and switch fitted	LED 16W / 1975 lm	LED 10W / 521 lm	无 Without	CZ0264/31-LED16W1-YJ-B
	LED 16W / 1655 lm	LED 10W / 442 lm	有 With	CZ0264/31-LED16W2-YJ-B
产品装熔断器 装行程开关 Product with fuse and switch fitted	LED 16W / 1975 lm	LED 10W / 521 lm	无 Without	CZ0264/31-LED16W1-YJ-FK-B
	LED 16W / 1655 lm	LED 10W / 442 lm	有 With	CZ0264/31-LED16W2-YJ-FK-B

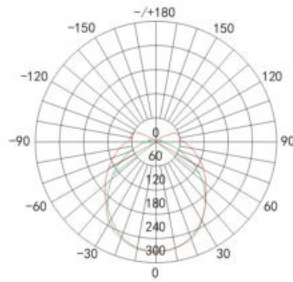

 电缆引入装置编码 Code of cable gland ←

电缆引入装置编码 Code of cable gland:

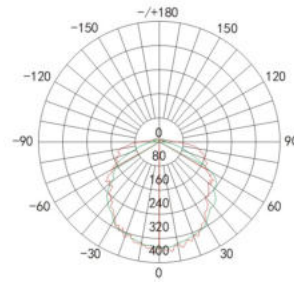
编码 Code	规格 Specifications	电缆直径 Cable diameter
B	塑制 1 个 M25 × 1.5 电缆密封套, 塑制 2 个 M25 × 1.5 空塞堵头 One moulded plastic M25 × 1.5 cable gland, two moulded plastic M25 × 1.5 stopping plugs	Φ8-17mm
C	铜制 1 个 CZ0221/M25 × 1.5 金属电缆密封套, 塑制 2 个 M25 × 1.5 空塞堵头 One brass CZ0221/M25 × 1.5 metal cable gland, two moulded plastic M25 × 1.5 stopping plugs	Φ8-17mm
D	塑制 2 个 M25 × 1.5 电缆密封套, 塑制 1 个 M25 × 1.5 空塞堵头 Two moulded plastic M25 × 1.5 cable glands, one moulded plastic M25 × 1.5 stopping plug	Φ8-17mm
E	铜制 2 个 CZ0221/M25 × 1.5 金属电缆密封套, 塑制 1 个 M25 × 1.5 空塞堵头 Two brass CZ0221/M25 × 1.5 metal cable glands, one moulded plastic M25 × 1.5 stopping plug	Φ8-17mm

配光曲线 Luminous intensity distribution curve: — C0/180
— C90/270
光强单位 luminous intensity unit: cd/1000 lm

CZ0264/31 防爆 LED 条形灯 Explosion-proof LED linear light fittings

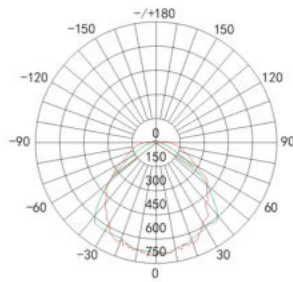


平均光束角 (50%) : 113.3 度
The average beam angle (50%) : 113.3 Degree
CZ0264/31-LED16W 有柔光罩 With diffuser

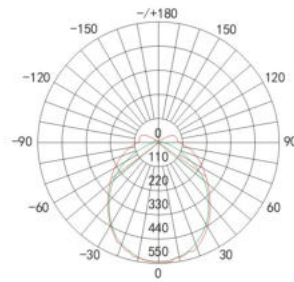


平均光束角 (50%) : 118.6 度
The average beam angle (50%) : 118.6 Degree
CZ0264/31-LED16W 无柔光罩 Without diffuser

CZ0264/31 防爆 LED 应急条形灯 Explosion-proof LED emergency linear light fittings

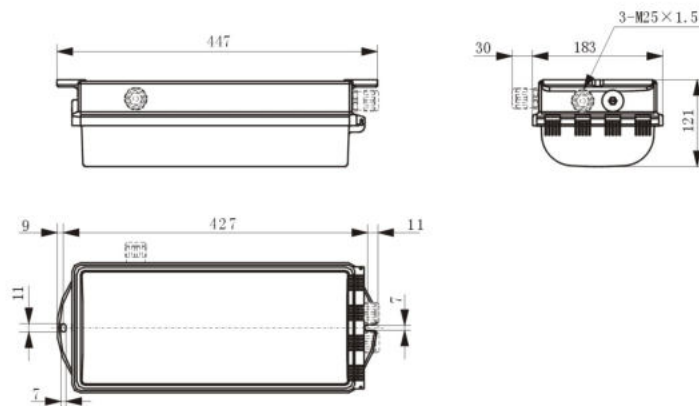


平均光束角 (50%) : 105.9 度
The average beam angle (50%) : 105.9 Degree
CZ0264/LED16W-YJ
有柔光罩 With diffuser
正常照明 Normal illumination








平均光束角 (50%) : 104.0 度
The average beam angle (50%) : 104.0 Degree
CZ0264/LED16W-YJ
无柔光罩 Without diffuser
正常照明 Normal illumination

外形尺寸 Outline dimensions: 单位 Unit: mm



备件 Spare parts:

图样 Illustration	描述 Descriptions	单位 Unit	订购号 Order No.
防爆行程开关模块 Explosion-proof isolation switch module 	防爆型式: $\text{Ex II 2G Ex db eb IIC Gb}$ 触点二常闭 (2NC) Type of protection, Contact: 2NC (2NC)	只 Piece	CZ0207-1
防爆熔断器模块 Explosion-proof fuse module 	防爆型式 Type of protection $\text{Ex II 2G Ex e mb II C Gb}$	0.8A 只 Piece	CZ0804 / T0.8A
		1.25A 只 Piece	CZ0804 / T1.25A
		6.3A 只 Piece	CZ0804 / T6.3A
防爆 LED 光源模块 Explosion-proof LED light source module 	$\text{Ex II 2G Ex eb mb op is IIC Gb}$ 功率 Power: 16W / 1943 lm / 5700K 无柔光罩 Without diffuser	只 Piece	CZ1618/11-LED16W1
	$\text{Ex II 2G Ex eb mb op is IIC Gb}$ 功率 Power: 16W / 1657 lm / 5700K 有柔光罩 With diffuser	只 Piece	CZ1618/11-LED16W2
防爆电源模块 Explosion-proof power supply module 	防爆型式: $\text{Ex II 2G Ex eb q IIC Gb}$ 功率: 1 × 16W, 用于 1 × LED16W 条形灯 AC100~250V Type of protection: $\text{Ex II 2G Ex eb q IIC Gb}$ Power: 1 × 16W, Used for 1 × LED16W linear light fittings	只 Piece	CZ1618/57-1 × LED16W
防爆逆变器模块 Explosion-proof inverter module 	防爆型式: $\text{Ex II 2G Ex eb q IIC Gb}$ 正常功率: 1 × 16W, 应急功率: 1 × 10W 用于 1 × LED16W YJ 应急LED条形灯 AC100~250V Type of protection: $\text{Ex II 2G Ex eb q IIC Gb}$ Normal power: 1 × 16W, emergency power: 1 × 10W, Used for 1 × LED16W emergency LED linear light fittings	只 Piece	CZ1618/58-1 × LED16W
防爆电池模块 Explosion-proof battery module 	防爆型式 Type of protection $\text{Ex II 2G Ex eb IIC Gb}$ 电池规格: 1.0Ah/7.2V Battery specification: 1.0Ah/7.2V	套 Set	CZ0819/1.0Ah/7.2V
防爆应急指示灯模块 Explosion-proof emergency indicator module 	防爆型式: $\text{Ex II 2G Ex mb IIC Gb}$, LED三种颜色: 红、黄、绿 Type of protection, Three colors for LED: red, yellow, green	套 Set	CZ0802/1
接地螺母 Earthing nut 	金属接地螺母 2-M25 × 1.5 Metal earthing nut 2-M25 × 1.5	套 Set	D8714/2-M25
M8/SW13 套筒扳手 M8/SW13 Sleeve spanner 	材质: 优质钢表面镀锌 Material: Fine quality steel with galvanized surface	套 Set	D601